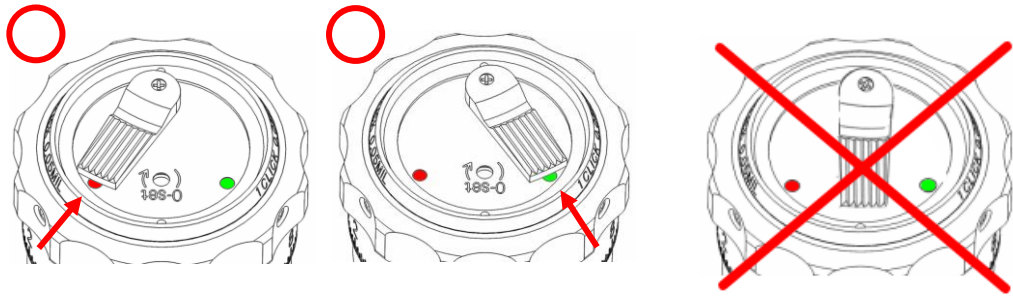


**== Caution ! ==**

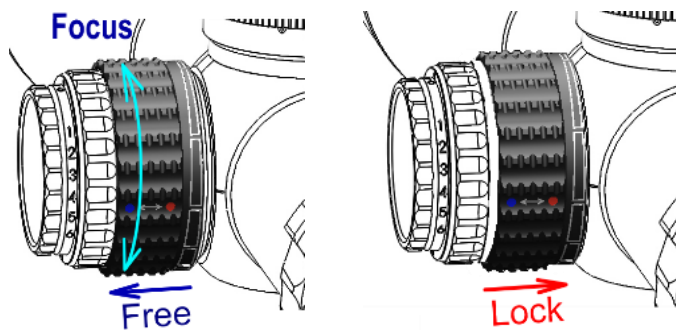


Dial Lock

Dial Unlock

***Elevation and Windage dial locking mechanism***

Please set the Lock Lever on top of the dial to either the green or the red mark as far as it will go. If you rotate the dial with the Lock lever set other than at the green or the red mark, the locking system will be damaged. Please make sure to dial with the lock lever at the correct position.



***Focus dial locking mechanism***

When you lock the focus dial, please push it in as far as it will go. When you unlock the focus dial, please pull it out as far as it will go. If you use the focus dial in between, the locking system will be damaged. Please make sure to rotate the focus dial at the correct position.

**(Note)**

If any accident or misuse of the locking Elevation, Windage and Focus dials lead to the damage of the locking system, DEON will repair it for a fee. By any chance the locking system may damage, it will not affect other than the locking mechanism itself. Dials can be used and E/W dials will still track correctly.