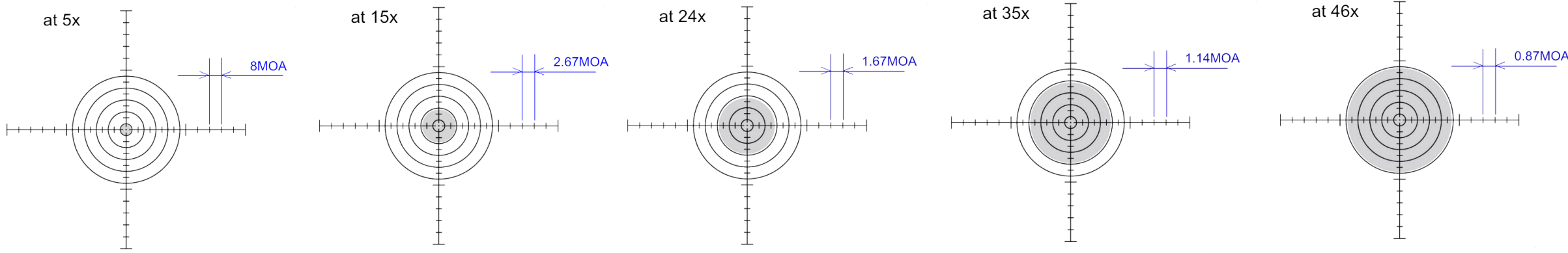


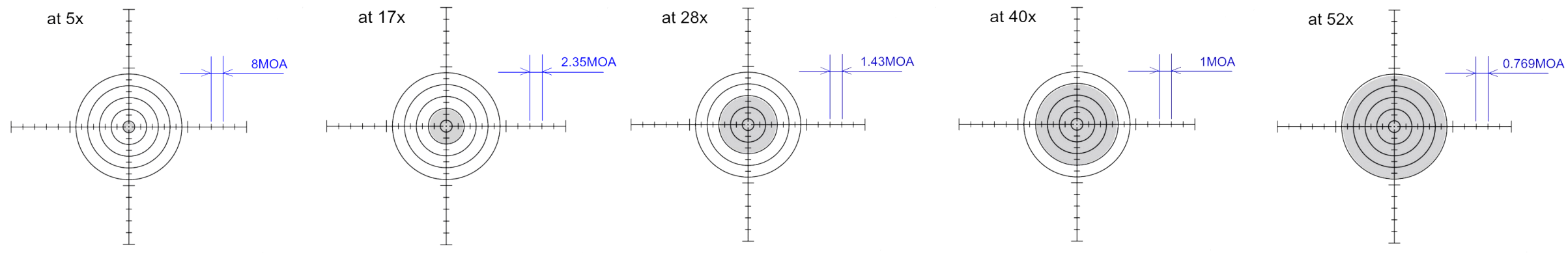
# Target size according to the magnification

When you change the magnification of the scope, only the target size will increase and decrease its size. The grey part in the images below are the black target in each shooting category. (Size of the black target is calculated based on each shooting category.) Cross lines and the center dot can be illuminated.

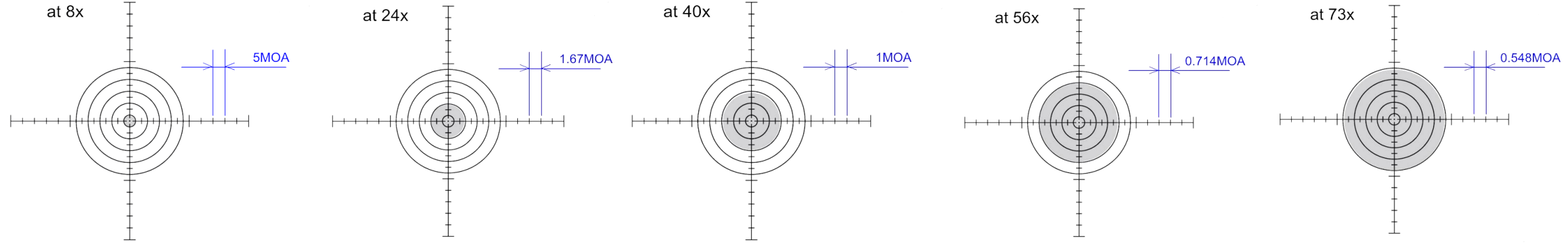
ISSF  
50m



ISSF  
300m



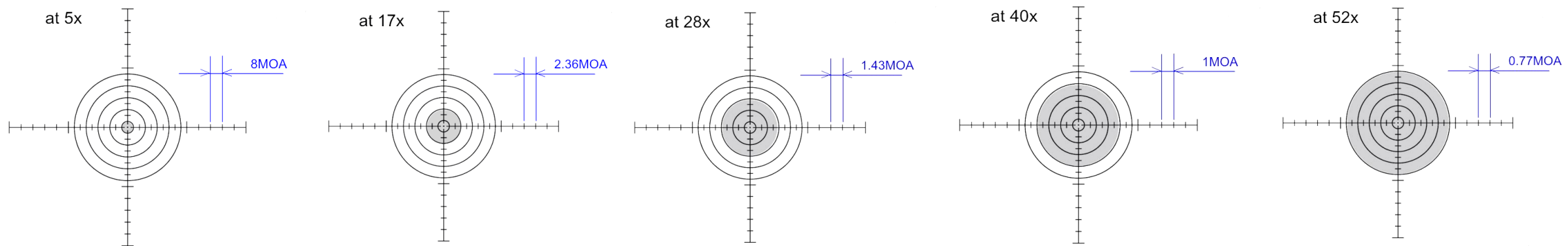
F  
300yd



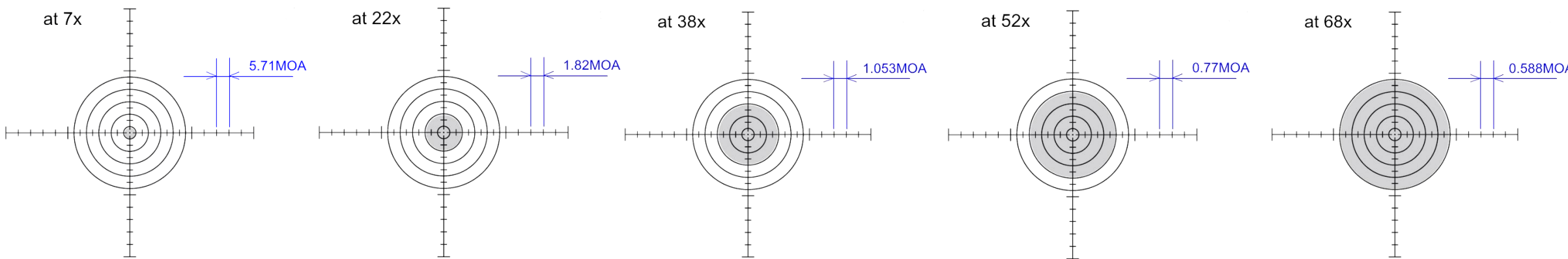
# Target size according to the magnification

When you change the magnification of the scope, only the target size will increase and decrease its size. The grey part in the images below are the black target in each shooting category. (Size of the black target is calculated based on each shooting category.) Cross lines and the center dot can be illuminated.

F  
500  
Yd



F  
800  
Yd



F  
1000  
Yd

