

【 MTR-RTM reticle 】 Target size according to the magnification

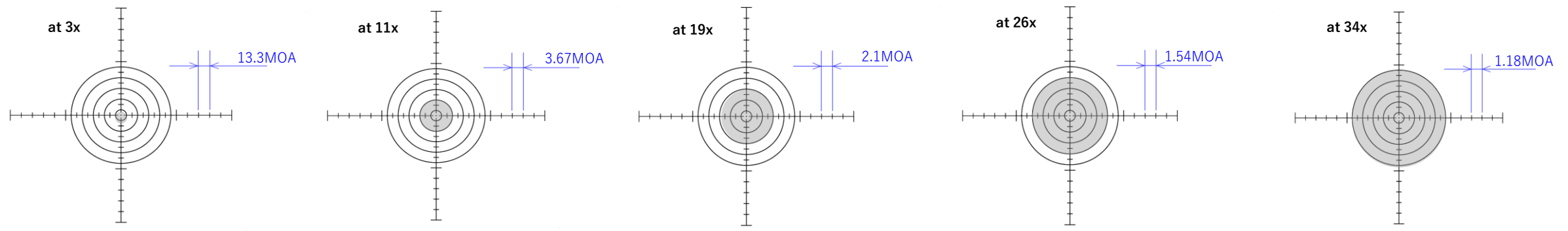


When you change the magnification of the scope, only the target size will increase and decrease its size. Cross lines and the center dot can be illuminated. The grey part in the images below are the black target in each shooting category. Size of the black targets is calculated based on each shooting category. The aim of the MTR-RTM reticle is to create a gap between the reticle and the target at your preference. In some countries where different regulations are adopted, please see the images below as a reference. This reticle can be assembled in 1-10x24/1.5-15x42/2.5-25x42,52/5-50x56/10-60x52/10-60x56/8-80x56 SFP scopes, but please note that some outer circles in the MTR-RTM reticle cannot be used with lower magnification scopes. For example, if you use 2.5-25x42 at ISSF 50m, you can see all 5 reticle circles but can only magnify the target to the third circle. Also if you want to replace the reticle of your current scope, we can only change between MTR reticle series. If you have a question regarding the reticle change, please contact us at info@deon.co.jp in advance.

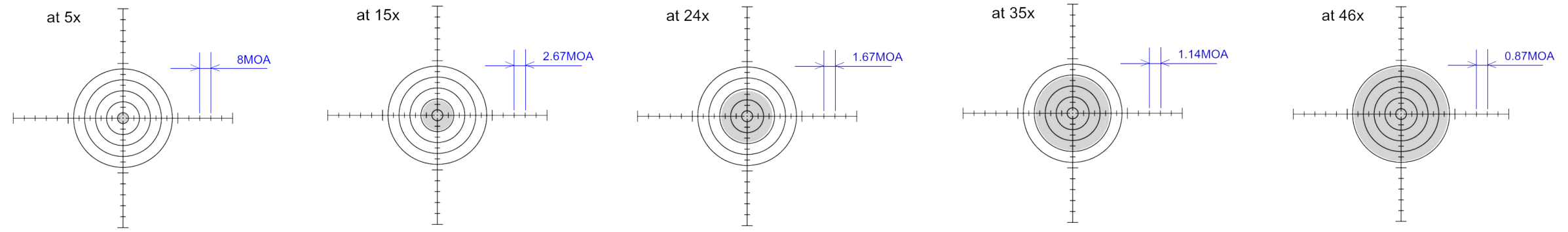
ISSF : <https://www.issf-sports.org/getfile.aspx?mod=docf&pane=1&inst=458&file=1.%20ISSF%20General%20Technical%20Rules.pdf>

F class : ICFRA https://e1e1515b-f062-426d-8b3c-6c508be9b8a2.filesusr.com/ugd/d54b0a_ce5f1a8a7d314d4e927c2d1d5236aae5.pdf

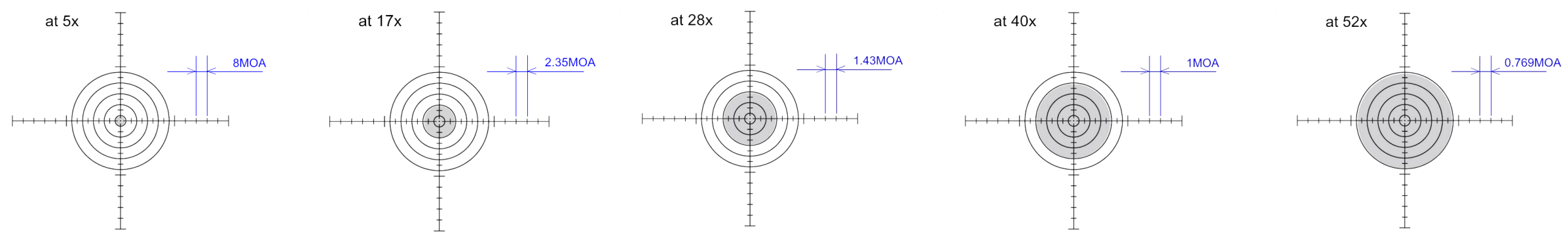
ISSF
10m



ISSF
50m

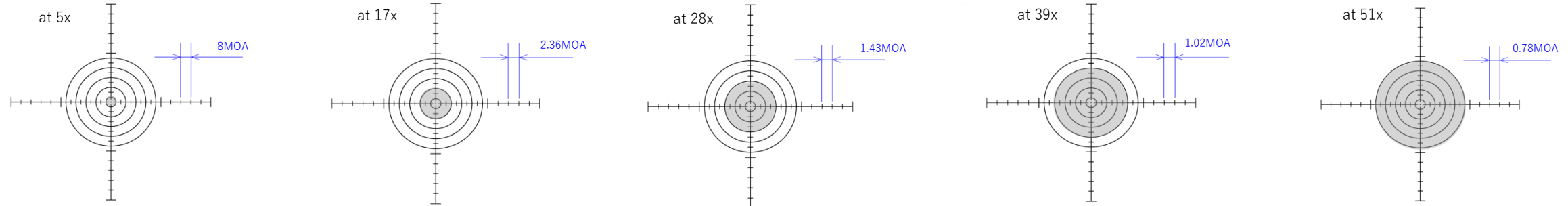


ISSF
300m

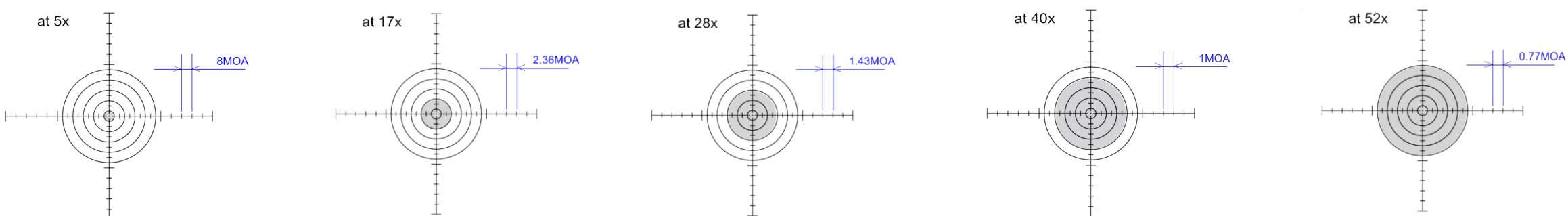


Please note that if you use the cross lines to hold for wind, the center of the reticle will shift and you will not be able to place the reticle circle on top of the target. If you use the turrets to adjust each time, then you will be able to see a circle reticle on top of the target.

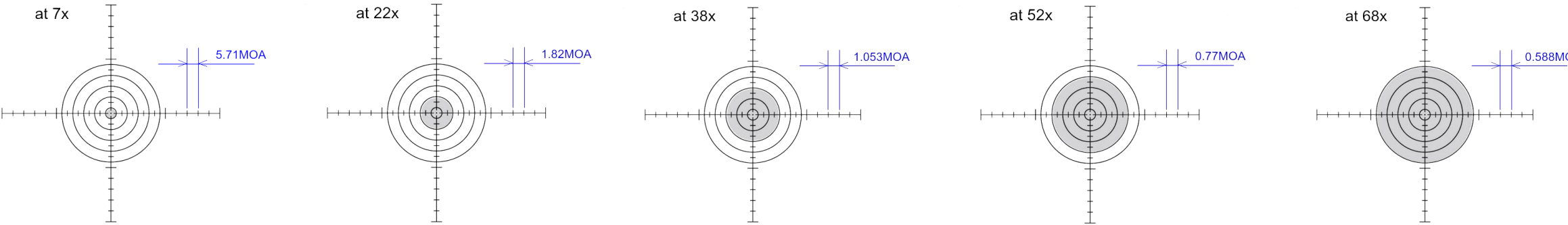
F
3
0
0
Y
d



F
5
0
0
Y
d



F
8
0
0
Y
d



F
1
0
0
0
Y
d

