

# March

TM

Proudly Made in Japan by DEON

## 2023



Suwa Basin - where DEON Optical Design Corporation is located

Suwa Lake which is in the center of Suwa Basin is the largest lake in Nagano prefecture with the altitude of 759m. This Lake is in the heart of Suwa region with rich variation of natural environment embracing Mt. Yatsugatake, Tateshinakogen Highlands, Kirigaminekogen Highlands. The distance from Tokyo metropolitan area or Chukyo area including Nagoya is about 200km. Suwa region is a famous tourist resort. In addition to the beauty of nature, there are hot springs by the Suwa Lake and in Tateshina. Suwa region has prospered as a temple town and post town centering around Suwa Taisha Shrine with 3000 subsidiary shrines nationwide. Recently there are various art museums and museums attracting a large number of tourists.



Suwa region is also a leading industrial district in Shinshu. In the late 1800s silk manufacturing industry flourished centering around Okaya. Rich natural environment including Tenryu River playing the role as a major transportation and with abundant labor forces, Suwa region was the suitable place not only for silk worm breeding but also for mechanized silk reeling. However, the plan to attract enterprises was carried out to replace silk manufacturing industry since it declined after the Great Depression in the 1920s. After the World WarII, precision machinery industry developed in place of silk manufacturing industry. Abundant supply of water and crisp clean air is adequate for precision machinery industry and many enterprises were born in the areas of watches, cameras and optical products etc. Suwa region is called “Switzerland of the Orient” on account of its high degree of technology. Even at present industries in advanced technologies such as electric machines, general instrumentations, optical products cluster at Okaya city, Suwa city, Chino city and throughout Suwa region.



**Greeting from the President Fumio Shimizu**

I have been developing optical products for a long time. In 2004, DEON Optical Corporation-Manufacturer of March Scopes was established

by myself and other excellent comrades who are specialists in their fields respectively. In 2007, we began manufacturing our own brand “March Scopes”, which are 100% Made in Japan, by utilizing our experience and technology to create the best scopes in the world. We will continue to pursue this challenge relentlessly to manufacture scopes that have never existed in the world and to achieve performance and quality which no one has reached. We believe that the March scopes we create are the highest quality products available to help shooters succeed in all aspects of competition and hunting situations and will continue to challenge ourselves to develop even more advanced products. We greatly appreciate your further guidance and encouragement.



Deon Optical Design is a small custom scope manufacturing company focusing on performance and quality, and to maintain its high standards of quality and attention to detail, it plans to stay this way for years to come. All components are made in Japan and are assembled by highly skilled engineers. We have developed our own brand of March scopes and manufactures "purely made in Japan" scopes that are designed and developed in-house from the basic concept, using all domestic components. March Rifle Scopes are opening the way to a new world of shooting.

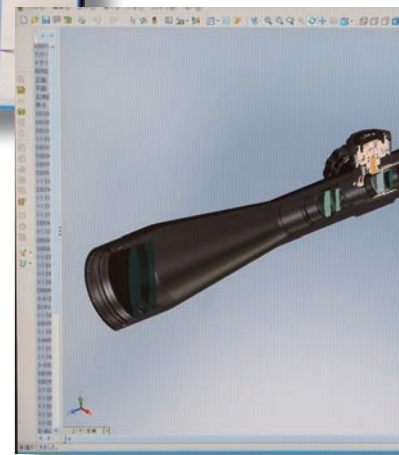
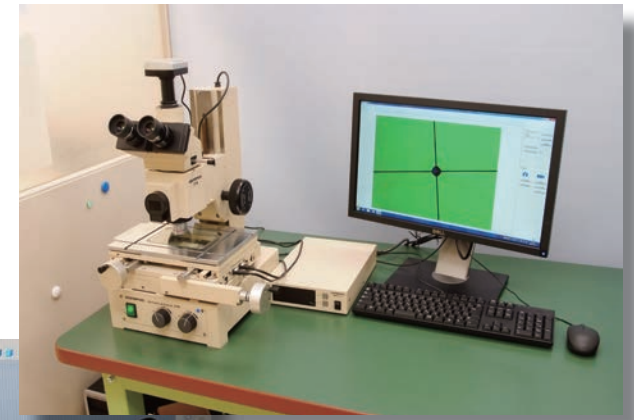
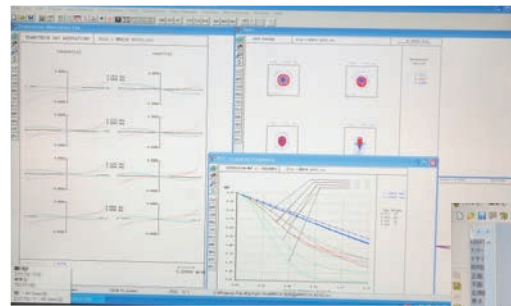
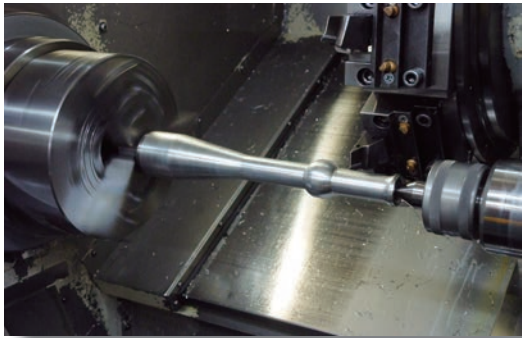


### **Assembled by Japanese Craftsmen**

Whether hunting or in competition, recoil dominates the shooting sport. The repeated shock of recoil, sometimes up to 1000 times the force of gravity, will break poorly assembled equipment. March Rifle Scopes are built to cope with repeated recoil. The March Rifle Scope you buy has been hand assembled by our skilled craftsmen and inspected 20 times before it leaves our factory. Highly skilled craftsmen assemble March Scopes with extreme care, taking their time until they are satisfied with the final product. The precision of our hand-assembled scopes is unmatched by any other manufacturer. This attention to detail means March Rifle Scopes will provide superior performance in the severest conditions. The high reliability of March Scopes is proven by the performance in various competitions.

## Proudly Made in Japan

More than 150 parts are used in the production of a March Rifle Scope. We only use Japanese made parts in our rifle scopes, to meet our need for the highest quality and finest tolerances. Optical quality and performance demands precision engineering skills that cannot be compromised by using second best. We process parts using carefully examined materials in factories with reliable and advanced processing technology. The high quality of March Scopes is the result of the "engineer's spirit" of these Japanese masters.



## Designed by expert engineers

Our top engineers have more than five decades of experience in optical design and manufacture. This experience is clear in the design, quality, reduced weight and attention to detail in every rifle scope produced. These experiences and technologies are passed on to the next generation.

March™  
**GENESIS**  
EXTREME LONG RANGE



# GENESIS



Traditional riflescopes are designed to move the optical axis inside the scope by adjusting the turrets, thereby moving the reticle's image and field of view. For long range shooting, the optical axis is shifted far from the centerline of the lenses decreasing the optical resolution. Unfortunately, it is at long ranges where the shooter needs the best clarity. Long range shooters often use inclined rail below their scopes, not just to provide more elevation adjustment but to keep the reticle closer to the optical centerline of the lenses when sighted in at long range.

However, the March GENESIS scope is no ordinary rifle scope. In the GENESIS scope, the reticle remains fixed, so it is always optically centered within the internal lens assembly of the scope, thus maximizing optical clarity in all conditions. The elevation travel is adjusted by an external structure. As being always aligned with the optical center of the scope, the Genesis Scope ensures maximum resolution at all times under all conditions.

Imagine the GENESIS scope as a non-adjustable scope within a complex mounting system capable of adjusting the elevation of the scope 400MOA (114MIL). The GENESIS turrets are external to the inner scope tube which pivots both horizontally and vertically on a complex gimbed system, and a pair of return springs ensure that the “inner scope” is always held firmly against the turrets. To enhance the 400MOA range of the elevation turret, a 150MOA base is integrated into the GENESIS Picatinny mount, so instead of having 200MOA up and 200MOA down, the range shifts to 350MOA up and 50MOA down. This is designed to allow targeting out to three miles subject to rifle system, ammunition, and environmental conditions.

# GENESIS 6x-60x56mm

- Wide Angle eyepiece : 24.96 degrees
- High Master lens system (Super ED lenses)
- Temperature Anti-Drift Lens System





### High Master lens system

Incredible Super ED lens, which is closer to fluorite than traditional ED lenses for superior correction of chromatic aberration, is adopted in the High Master lens system. The extremely low chromatic aberration allows the shooter to see the target with a clear image. The resulting sight picture provides unsurpassed edge to edge definition and renders color in true-to-life hue across the entire field of view.

### Temperature Anti-Drift Lens System

In the latest optical systems for automotive cameras, a new lens material has been developed to accommodate changes in environmental temperature by altering the refractive index of the lenses. This new lens material has been adopted for the new High Master optics to create a more stable lens system that naturally adapts to changes in temperature to maintain focus and clarity over a wide range of conditions.

		March GENESIS					
		6x-60x56					
		D60V56GFML	D60V56GFIML	D60V56GFML10	D60V56GFIML10	D60V56GFMA	D60V56GFIMA
		FFP					
Magnification	(Low)	6x					
	(High)	60x					
Effective Lens Diameter		56mm					
Body Tube Diameter		-					
Exit pupil	(Low)	3.5mm					
	(High)	0.93mm					
Field of View (real)	(Low)	4.16°					
	at 100yds	21.8ft					
	at 100m	7.26m					
	(High)	0.416°					
	at 100yds	2.2ft					
	at 100m	0.73m					
Eye Relief	(Low)	67-82mm					
	(High)	63-82.5mm					
1 Click Adjustment		0.05MIL		0.1MIL		1/4MOA	
Elevation Travel		114MIL				400MOA	
Windage Travel		40MIL				150MOA	
Focus		Side focus					
Distance		20m-∞					
Reticle		FML-MT FML-3 FML-TR1	FML-MT FML-3 FML-TR1	FML-MT FML-3 FML-TR1	FML-MT FML-3 FML-TR1	FMA-MT	FMA-MT
Illuminated		X	○	X	○	X	○
Adjustment cap		X					
Adjustment dial		Tactical					
Adj. 0-set Device		○					
Weight		1,450g	1,480g	1,450g	1,480g	1,450g	1,480g

# GENESIS 4x-40x52mm

- Wide Angle eyepiece : 24 degrees
- High Master lens system (Super ED lenses)
- Temperature Anti-Drift Lens System



## March GENESIS Is No Ordinary Rifle Scope.

For long and ultra-long-range applications, March has moved beyond traditional riflescope designs with the new GENESIS series. March's High Master optical system delivers superb image quality in a FFP design with a class leading 10x zoom ratio to fit any environmental conditions. With many conventional riflescope designs, there is image quality degradation and parallax shift at the edges of the adjustment range. However, with GENESIS scope it has no impact on image quality and parallax setting. It keeps the aim point optically centered within the internal lens assembly of the scope. There is no requirement for additional, bulky and expensive additions, the GENESIS scope provides the shooter with a complete system – straight from the box. The GENESIS scope has 86MIL/300MOA elevation. This is possible because the GENESIS turrets are external to the inner scope tube. The scope tube adjusts on a horizontal and vertical pivot using a gimbed system, and a pair of return springs ensure that the “inner scope” is always held firmly against the turrets. Unlike traditional rifle scopes, the GENESIS’ gimble system controls the movement of the inner scope tube - removing both the spring fatigue and optical degradation other manufacturers have yet to overcome.

To further increase the 4-40x52 GENESIS’ 86MIL/300MOA internal range, a 29MIL base is built into the GENESIS Picatinny mount. This allows UP adjustment of 72MIL/250MOA and Down adjustment of 14MIL/50MOA.

This makes the March GENESIS capable of engaging targets out to 3 miles (4.8km) subject to rifle system, ammunition, and environmental conditions without compromising image quality and without utilizing any external accessories. The large amount of UP adjustment adapts not only to long-range shooting, but also to shooting with slower velocity rimfire and air rifles, which conventional scopes could not handle. The March GENESIS is taking sighting systems beyond the imagination of what is possible and making it possible to push the boundaries of rifle shooting accuracy.

		March GENESIS		
		4x-40x56		
		D40V52GFIML	D40V52GFIML10	D40V52GFIMA
		FFP		
Magnification	(Low)	4x		
	(High)	40x		
Effective Lens Diameter		52mm		
Body Tube Diameter		-		
Exit pupil	(Low)	3.1mm		
	(High)	1.3mm		
Field of View (real)	(Low)	6°		
	at 100yds	31.5ft		
	at 100m	10.50m		
	(High)	0.6°		
	at 100yds	3.2ft		
	at 100m	1.05m		
Eye Relief	(Low)	68-86mm		
	(High)	71-85mm		
1 Click Adjustment		0.05MIL	0.1MIL	1/4MOA
Elevation Travel		86MIL		300MOA
Windage Travel		28MIL		100MOA
Focus		Side focus		
Distance		20m-∞		
Reticle		FML-3 FML-TR1	FML-3 FML-TR1	FMA-3
Illuminated		○	○	○
Adjustment cap		X	X	X
Adjustment dial		Tactical	Tactical	Tactical
Adj. 0-set Device		○	○	○
Weight		1,280g	1,280g	1,280g



**March-FX March-F**

First Focal Plane Reticle Scope

# March-FX

## 5x-42x56mm HM

- Wide Angle eyepiece : 26 degrees
- High Master lens system (Super ED lenses)
- Temperature Anti-Drift Lens System

### Lockable Elevation / Windage dials

Turn the lever at the top of the dial toward red to lock and toward blue to unlock.  
This prevents the dial from turning unintentionally.

### Fast focus eyepiece

Fast focus diopter system will enable you to adjust from -2D to +2D in 1 revolution.  
Eyepiece diopter can be rapidly adjusted.



### Lockable Side focus turrets

Pushing the side focus dial of the focus adjustment in the direction of the red arrow locks the side focus.  
Pulling it in the direction of the blue arrow releases it.  
This prevents the image from accidentally going out of focus.

Developed for serious competition shooters, enthusiasts and hunters who demand the utmost in optical/mechanical performance. High Master lens system allows for the highest optical quality, while the 26 degrees wide angle eyepiece offers enhanced FOV throughout the 8.4x magnification range. (30% wider field of view than the standard March eyepiece.)

Multi-turn 10MIL elevation turret with 40MIL (130MOA) total travel adjustment for long range shooting. Locking elevation, windage and parallax with easy zero stop. New competition oriented First Focal Plane reticle is designed for precise holdover without obscuring the sight picture.

		March-FX	
		5x-42x56	
		D42HV56WFIML	D42HV56WFIMA
		FFP	
Magnification	(Low)	5x	
	(High)	42x	
Effective Lens Diameter		56mm	
Body Tube Diameter		34mm	
Exit pupil	(Low)	5.2mm	
	(High)	1.33mm	
Field of View (real)	(Low)	5.2°	
	at 100yds	26.2ft	
	at 100m	8.73m	
	(High)	0.62°	
	at 100yds	3.3ft	
	at 100m	1.08m	
Eye Relief	(Low)	71-90.4mm	
	(High)	74.2-90mm	
1 Click Adjustment		0.1MIL	1/4MOA
Elevation Travel		40MIL	130MOA
Windage Travel		14MIL	48MOA
Focus		Side focus	
Distance		10YD-∞	
Reticle		FML-MT	FMA-MT
		FML-3	FMA-3
		FML-TR1	FMA-TR1
Illuminated		○	
Adjustment cap		X	
Adjustment dial		Tactical	
Adj. 0-set Device		○	
Weight		980g	980g

# March-FX

## 5x-40x56mm Gen II

- First Focal Plane
- 56mm Objective Lens
- 34mm Body Tube
- 8x ratio zoom
- ED lens

### Lockable Elevation / Windage dials

Turn the lever at the top of the dial toward red to lock and toward blue to unlock.

This prevents the dial from turning unintentionally.



### Fast focus eyepiece

Fast focus diopter system will enable you to adjust from -2D to +2D in 1 revolution. Eyepiece diopter can be rapidly adjusted.

The brightness can be adjusted in 6 levels.

6 is the brightest and 1 is 1/100 of 6.

Illumination turns off automatically after 1 hour.



The March-FX 5x-40x56mm Gen II is based on the optical design of the conventional 5x-40x56mm and is equipped with new features. The March-FX 5x-40x56mm Gen II features an elevation/windage dial with a lock mechanism, which is larger and easier to operate, and a 6-level illumination switch as standard equipment, which allows for more detailed brightness adjustment. In addition, the fast-focus mechanism in the eyepiece allows for quicker and easier diopter adjustment than before.

		March-FX					
		5x-40x56 Gen2					
		D40V56FML_G2	D40V56FIML_G2	D40V56FML10_G2	D40V56FIML10_G2	D40V56FMA8_G2	D40V56FIMA8_G2
		FFP					
Magnification	(Low)	5x					
	(High)	40x					
Effective Lens Diameter		56mm					
Body Tube Diameter		34mm					
Exit pupil	(Low)	-					
	(High)	1.4mm					
Field of View (real)	(Low)	4°					
	at 100yds	21ft					
	at 100m	6.98m					
	(High)	0.5°					
	at 100yds	2.6ft					
	at 100m	0.87m					
Eye Relief	(Low)	96-100mm					
	(High)	92-98mm					
1 Click Adjustment		0.05MIL		0.1MIL		1/8MOA	
Elevation Travel		24MIL				76MOA	
Windage Travel		12MIL				38MOA	
Focus		Side focus					
Distance		10YD-∞					
Reticle		FML-1 FML-PDKI	FML-1 FML-PDKI	FML-1 FML-PDKI	FML-1 FML-PDKI	FMA-2	FMA-1
Illuminated		X	○	X	○	X	○
Adjustment cap		X					
Adjustment dial		Tactical					
Adj. 0-set Device		○					
Weight		900g	925g	900g	925g	900g	925g

# March-FX

1.5x-15x42mm

- Dual Reticle
- Compact Body
- 10x ratio zoom
- 34mm Body Tube
- ED lens

### Shuriken lock

The new turrets are Shuriken shaped lockable elevation and windage turrets. Red is for locked state and white is for unlocked state.



### Fast focus eyepiece

Fast focus diopter system will enable you to adjust from -2D to +2D in 1 revolution. Eyepiece diopter can be rapidly adjusted.

Light weight and compact 1.5-15x42 FFP riflescope in MIL with the new “Shuriken lock” turrets is ideal for hunting and for precision semi-auto platforms. 42mm objective lens produces excellent low light performance in a compact form factor, while 1.5x low end magnification makes for very fast target acquisition. The new turrets are Shuriken shaped lockable elevation and windage turrets. “Shuriken” is a star shaped throwing knife used by Ninja. Red is for locked state and white is for unlocked state. "X" in the model name stands for the Shuriken lock.

		March-FX	
		1.5x-15x42	
		D15V42FDIMLX	D15V42FIMLX
		DR	FFP
Magnification	(Low)	1.5x	
	(High)	15x	
Effective Lens Diameter		42mm	
Body Tube Diameter		34mm	
Exit pupil	(Low)	8.7mm	
	(High)	2.8mm	
Field of View (real)	(Low)	13.3°	
	at 100yds	70.2ft	
	at 100m	23.4m	
	(High)	1.33°	
	at 100yds	6.9ft	
Eye Relief	at 100m	2.3m	
	(Low)	72-97mm	
	(High)	73-98mm	
1 Click Adjustment		0.1MIL	
Elevation Travel		40MIL	
Windage Travel		20MIL	
Focus		Side focus	
Distance		10YD- ∞	
Reticle		DR-TR2	FML-4
Illuminated		○	
Adjustment cap		X	
Adjustment dial		Tactical	
Adj. 0-set Device		○	
Weight		700g	700g

# March-FX 4.5x-28x52mm HM

- Wide Angle eyepiece : 25 degrees
- High Master lens system (Super ED lenses)
- Temperature Anti-Drift Lens System

## Shuriken lock

The new turrets are Shuriken shaped lockable elevation and windage turrets. Red is for locked state and white is for unlocked state.



## Fast focus eyepiece

Fast focus diopter system will enable you to adjust from -2D to +2D in 1 revolution. Eyepiece diopter can be rapidly adjusted.

The March 4.5x-28x52mm turrets is the new shuriken lock. The new turrets are Shuriken shaped lockable elevation and windage turrets. “Shuriken” is a star shaped throwing knife used by Ninja. Red is for locked state and white is for unlocked state. "X" in the model name stands for the Shuriken lock

4.5x-28x52mm was developed for the PRS competition started in the USA. This competition requires quick shots at various distances within a limited time. This rifle scope can be used for practical hunting as well. The 25 degrees wide angle eyepiece provides a wide field of view at all 6.2x magnification ranges.

		March-FX		
		4.5x-28x52		
		D28HV52WFMLX	D28HV52WFIMLX	D28HV52WFIMAX
		FFP		
Magnification	(Low)	4.5x		
	(High)	28x		
Effective Lens Diameter		52mm		
Body Tube Diameter		34mm		
Exit pupil	(Low)	-		
	(High)	1.86mm		
Field of View (real)	(Low)	5.56°		
	at 100yds	29.1ft		
	at 100m	9.7m		
	(High)	0.892°		
	at 100yds	4.7ft		
	at 100m	1.56m		
Eye Relief	(Low)	70-93.7m		
	(High)	72-90m		
1 Click Adjustment		0.1MIL	1/4MOA	
Elevation Travel		30MIL	100MOA	
Windage Travel		20MIL	65MOA	
Focus		Side focus		
Distance		10YD-∞		
Reticle		FML-PDK FML-LDK	FML-3 FML-TR1 FML-PDKI	FMA-3
Illuminated		X	○	○
Adjustment cap		X		
Adjustment dial		Tactical		
Adj. 0-set Device		○		
Weight		855g	880g	880g

# March-F

3x-24x42mm

3x-24x52mm

- First Focal Plane
- 30mm Body Tube
- 8x ratio zoom
- ED lens



3x-24x42mm



3x-24x52mm

The March-F 3x-24x42mm and 3x-24x52mm are the First Focal Plane reticle scopes of choice for competitive shooters and hunters worldwide. These compact and lightweight models feature superior optics in a strong 30mm body tube. With a maximum magnification of 24x, the compact March-F 3x-24x42mm and 3x-24x52mm are riflescopes that are easy to handle in the woods or when in heavy motion. ED glass is used for the objective lens to suppress chromatic aberration and achieve bright natural colors. The compact model with 42mm objective lens and the brighter model with 52mm objective lens, which is more powerful at dusk, are available.

		March-F							
		3x-24x42				3x-24x52			
		D24V42FML	D24V42FIML	D24V42FMA	D24V42FIMA	D24V52FML	D24V52FIML	D24V52FMA	D24V52FIMA
		FFP							
Magnification	(Low)	3x				3x			
	(High)	24x				24x			
Effective Lens Diameter		42mm				52mm			
Body Tube Diameter		30mm				30mm			
Exit pupil	(Low)	-				-			
	(High)	1.75mm				2.17mm			
Field of View (real)	(Low)	6.67°				6.67°			
	at 100yds	35ft				35ft			
	at 100m	11.66m				11.66m			
	(High)	0.83°				0.83°			
	at 100yds	4.3ft				4.3ft			
	at 100m	1.45m				1.45m			
Eye Relief	(Low)	85-100mm				85-100mm			
	(High)	89-96mm				89-96mm			
1 Click Adjustment		0.1MIL		1/4MOA		0.1MIL		1/4MOA	
Elevation Travel		28MIL		100MOA		34MIL		120MOA	
Windage Travel		28MIL		100MOA		17MIL		60MOA	
Focus		Side focus				Side focus			
Distance		10YD-∞				10YD-∞			
Reticle		FML FML-1 FML-T1 FML-TR1H FML-MB	FML FML-1 FML-T1 FML-TR1H FML-MB	FMA-2	FMA-1	FML FML-1 FML-T1 FML-TR1H FML-MB	FML FML-1 FML-T1 FML-TR1H FML-MB	FMA-2	FMA-1
Illuminated		X	○	X	○	X	○	X	○
Adjustment cap		X				X			
Adjustment dial		Tactical				Tactical			
Adj. 0-set Device		○				○			
Weight		590g	615g	590g	615g	655g	680g	655g	680g

# March-F

## 1x-10x24mm Shorty (34mm & 30mm Body Tube)

- Dual Reticle, FFP reticle
- Compact Body
- 10x ratio zoom

### Shuriken lock

The new turrets are Shuriken shaped lockable elevation and windage turrets. Red is for locked state and white is for unlocked state.



34mm Body Tube

### Fast focus eyepiece

Fast focus diopter system will enable you to adjust from -2D to +2D in 1 revolution.

Eyepiece diopter can be rapidly adjusted.



30mm Body Tube



The new 1x-10x24mm Shorty with a 34mm diameter body is now available. The new turrets are Shuriken shaped lockable elevation and windage turrets. “Shuriken” is a star shaped throwing knife used by Ninja. Red is for locked state and white is for unlocked state. "X" in the model name stands for the Shuriken lock.

The 1x-10x24mm Shorty assembles a March Dual Reticle that combines the advantages of both FFP and SFP reticles. It has the convenience of a first focal plane reticle scale that expands and contracts with magnification with the advantages of a second focal plane reticle that remains the same even at different magnifications. Furthermore, the second focal plane is illuminated with a bright fiber dot, which remain bright enough even at low magnification to be used as a dot scope. The bright dot remains bright even in daylight, and the size of the dot does not change its size even when magnification is changed. The FFP reticle can also be selected.

		March-F			March-FX	
		1x-10x24 Shorty				
		D10SV24FDIML (D10SV24FDIML_P)	D10SV24FDIMLN (D10SV24FDIMLN_P)	D10SV24FIML (D10SV24FIML_P)	D10SV24FDIMLX	D10SV24FIMLX
		DR	DR	FFP	DR	FFP
Magnification	(Low)	1x				
	(High)	10x				
Effective Lens Diameter		24mm				
Body Tube Diameter		30mm			34m	
Exit pupil	(Low)	8.6mm				
	(High)	2.4mm				
Field of View (real)	(Low)	19.2°				
	at 100yds	101.5ft				
	at 100m	33.83m				
	(High)	1.92°				
	at 100yds	10.1ft				
	at 100m	3.35m				
Eye Relief	(Low)	72-102mm				
	(High)	75-100mm				
1 Click Adjustment		0.1MIL				
Elevation Travel		56MIL			50MIL	
Windage Travel		56MIL			25MIL	
Focus		Side focus				
Distance		10YD-∞				
Reticle		DR-1 DR-TR1	DR-1 DR-TR1	FMC-1 FMC-2 FMC-3	DR-1F DR-TR1F	FMC-1 FMC-2 FMC-3
Illuminated		○				
Adjustment cap		X	○	X	X	X
Adjustment dial		Tactical	Normal	Tactical	Tactical	Tactical
Adj. 0-set Device		○	X	○	○	○
Weight		505g	505g	505g	590g	590g

# March-F 1x-8x24mm

- First Focal Plane
- Compact Body
- 8x ratio zoom

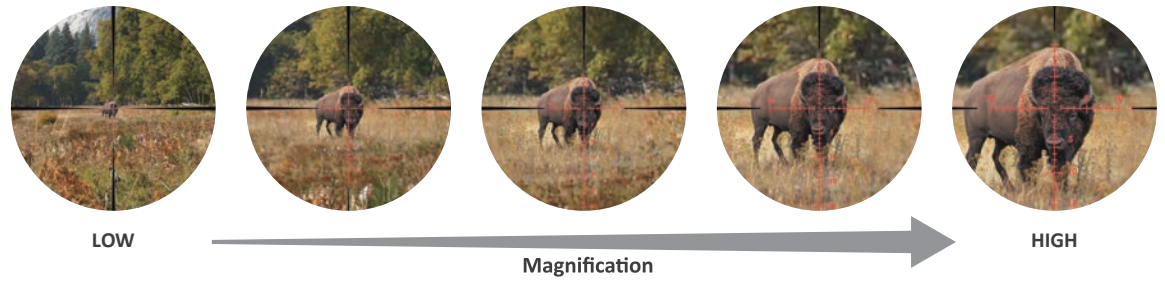


The March-F 1x-8x24mm is a rifle scope with true 1x. Lightweight and compact model with excellent optics in a strong 30mm body tube. With a maximum magnification of 8x, the March-F is a compactly designed scope that is easy to handle in the woods or when in motion. The side-focusing feature allows focusing from close range (10 yards) to infinity at any magnification from 1x to 8x.

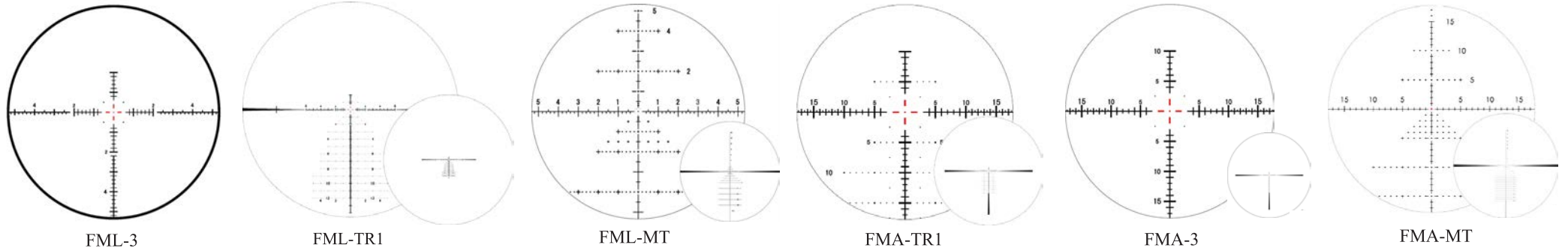
		<b>March-F</b>	
		1x-8x24	
		D8V24FML	D8V24FIML
		FFP	
Magnification	(Low)	1x	
	(High)	8x	
Effective Lens Diameter		24mm	
Body Tube Diameter		30mm	
Exit pupil	(Low)	6.1mm	
	(High)	3mm	
Field of View (real)	(Low)	19.67°	
	at 100yds	104ft	
	at 100m	34.67m	
	(High)	2.46°	
	at 100yds	12.9ft	
	at 100m	4.30m	
Eye Relief	(Low)	74-102mm	
	(High)	74-97mm	
1 Click Adjustment		0.1MIL	
Elevation Travel		56MIL	
Windage Travel		56MIL	
Focus		Side focus	
Distance		10YD-∞	
Reticle		FMC-1 FMC-2 FMC-3	
Illuminated		X	○
Adjustment cap		X	
Adjustment dial		Tactical	
Adj. 0-set Device		○	
Weight		530g	560g

# First Focal Plane Reticles

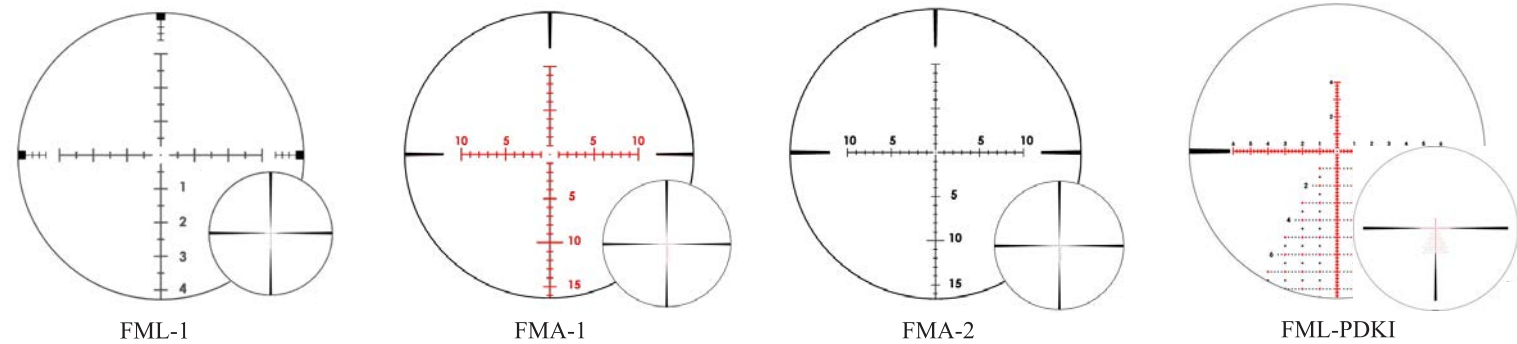
The first focal plane reticle (FFP) is always a constant scale value because the target and reticle are enlarged or reduced together when the magnification is changed. In addition, basically no displacement of the point of aim (POA) occurs due to zooming.



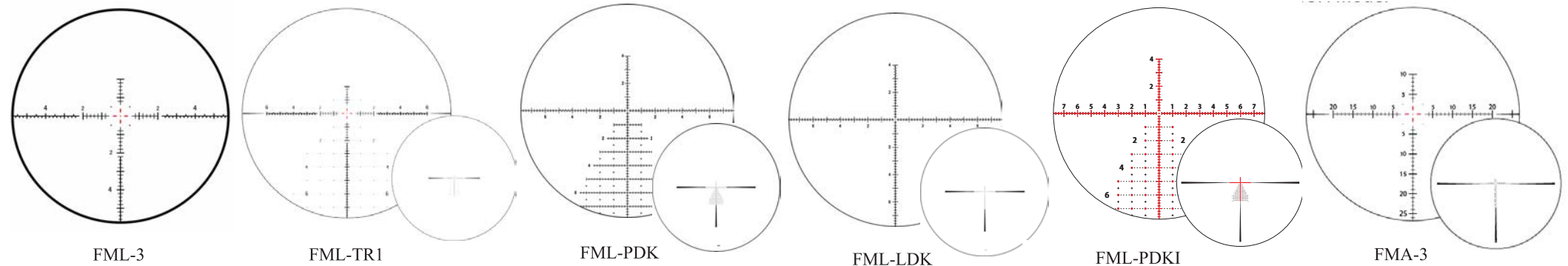
## For 5x-42x56mm



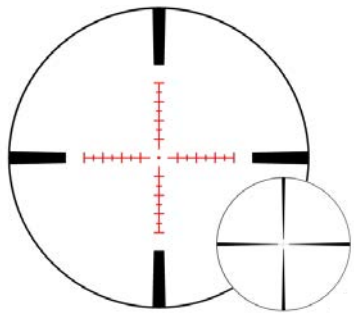
## For 5x-40x56 GenII



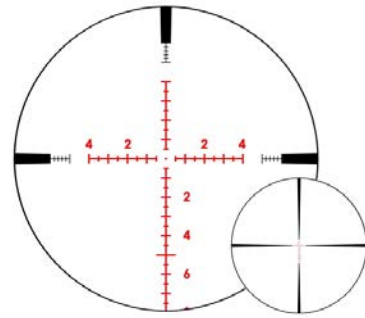
## For 4.5x-28x52mm



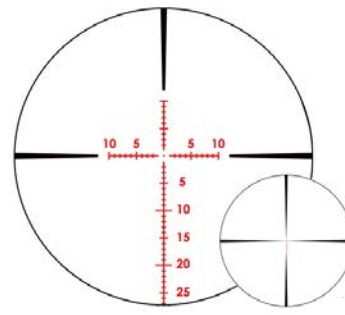
For 3x-24x42mm & 3x-24x52mm



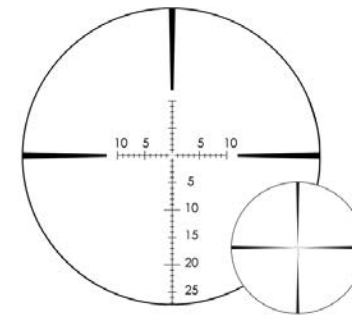
FML



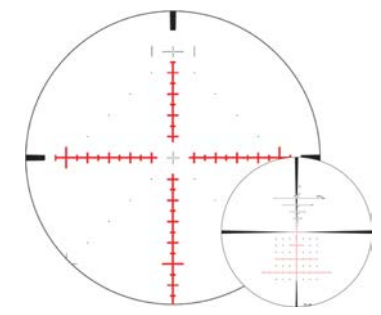
FML-1



FMA-1

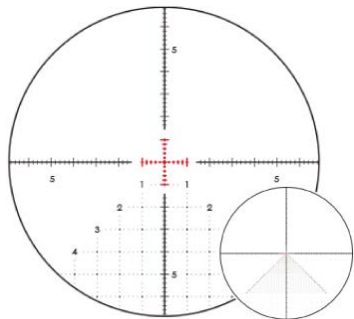


FMA-2

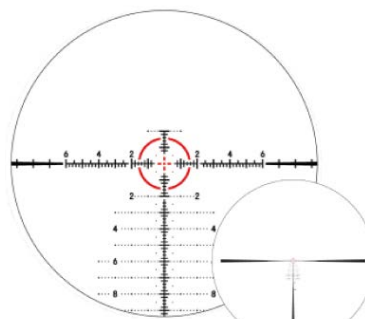


FML-MB

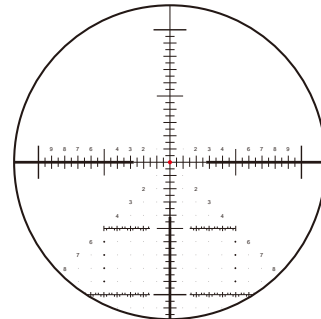
For 1.5x-15x42mm



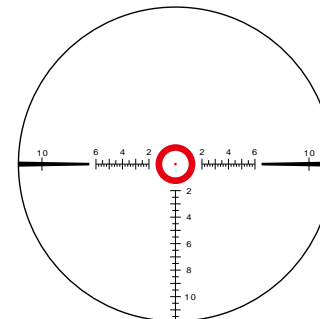
FML-T1



FML-TR1H

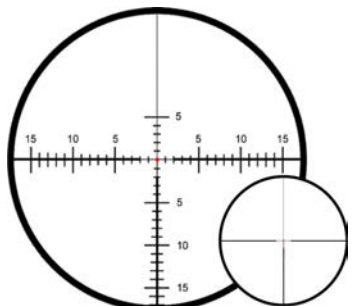


DR-TR2  
(Dual reticle)

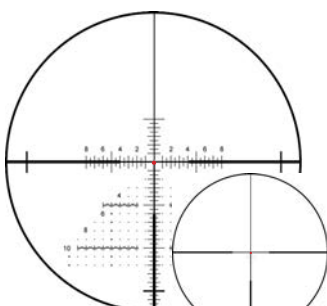


FML-4

For 1x-10x24mm Shorty (Dual reticle)

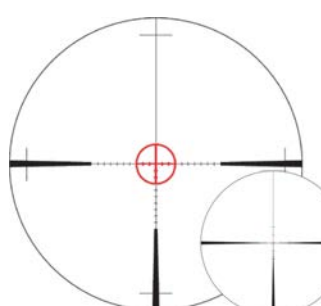


DR-1  
DR-1F



DR-TR1  
DR-TR1F

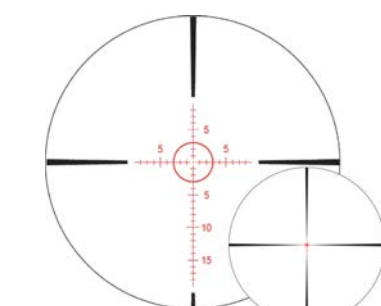
For 1x-8x24mm & 1x-10x24mm Shorty



FMC-1



FMC-2



FMC-3





March-X March March March  
compact Fixed power

Second Focal Plane Reticle

# March-X 8x-80x56mm Majesta

- High Master lens system (Super ED lenses)
- Temperature Anti-Drift Lens System
- Wide Angle (25 degrees)
- Shimmer Protection
- New Body Color : Dark Grey

## Shuriken lock

The new turrets are Shuriken shaped lockable elevation and windage turrets. Red is for locked state and white is for unlocked state.



## Fast focus eyepiece

Fast focus diopter system will enable you to adjust from -2D to +2D in 1 revolution. Eyepiece diopter can be rapidly adjusted.



### March-X 8x-80x56HM Majesta

We currently have a 8-80x56 among our lineup, but this March-X 8-80x56 SFP High Master Wide Angle Scope is an entirely new scope which took us several years to develop. This new scope has 25 degrees wide angle eyepiece which is 25% wider than the standard 20 degrees. (125% field of view (FOV) expansion. To the eye of the shooter, this increase is equivalent to 156% in terms of FOV area at all magnifications.) The shooter is presented with a much larger magnified picture of the target and its surroundings, eliminating the tunneling effect inherent in high-magnification long range optics. This majestic vista helps the competitor identify the conditions at the target thus allowing for last second adjustments. It also helps to identify the target and reduce the chances of crossfire. The hunter and the target shooter will also benefit from this huge increase in the magnified field of view by increasing their awareness of the surrounding area at the target.

The current 8-80x56 assembles ED lens, but March 8-80x56 SFP High Master Wide Angle Scope newly assembles the High Master lens system with 2 Super ED lenses. By using Super ED lens elements, we can suppress chromatic aberration even more than with ED lenses and thus produce a sharper image with greater contrast. This riflescope with Super ED lenses can handle “mirage” better than ED lenses, and dramatically better than regular optical glass as well. ED lens preserves the focus position of this light and Super ED glass does an even better job of doing that. Because of this “shimmer protection”, the riflescope’s magnification can remain high and thus provide the shooter with a better aiming point.

		March-X Majesta	
		8x-80x56	
		D80HV56WTIX-GR	D80HV56WTIMLX-GR
		SFP	
Magnification	(Low)	8 x	
	(High)	80 x	
Effective Lens Diameter		56mm	
Body Tube Diameter		34mm	
Exit pupil	(Low)	4.1mm	
	(High)	0.7mm	
Field of View (real)	(Low)	3.12°	
	at 100yds	16.4ft	
	at 100m	5.45m	
	(High)	0.31°	
	at 100yds	1.64ft	
	at 100m	0.54m	
Eye Relief	(Low)	76-92mm	
	(High)	79-92mm	
1 Click Adjustment		1/8MOA	0.05MIL
Elevation Travel		66MOA	19MIL
Windage Travel		36MOA	10MIL
Focus		Side focus	
Distance		10YD-∞	
Reticle		W-Dot MTR-W0 MTR-W1 MTR-W2 MTR-WFT MTR-WFD	W-Dot MML-W1
Illuminated		○	○
Adjustment cap		X	
Adjustment dial		Tactical	
Adj. 0-set Device		○	
Weight		1175g	1175g

# March-X

8x-80x56mm  
5x-50x56mm

- Second Focal Plane
- 56mm Objective lens
- 34mm Body Tube
- 10x ratio zoom
- ED lens



5x-50x56mm



8x-80x56mm

### March-X 5x-50x56 & 8x-80x56

March-X 5x-50x56 and 8x-80x56 are the world's highest 10x ratio rifle scope. These riflescopes feature a tough 34mm body that can withstand hard use. The large 56 objective lens uses ED glass to suppress chromatic aberration and deliver bright, natural colors.

8-80x56 scope which has the highest magnification in the world as of today is used for long range shooting and also for field target competitions being able to focus at a slight distance. The 8x-80x56 is also available in silver-colored models.

		March-X					
		5x-50x56			8x-80x56		
		D50V56T	D50V56TM	D50V56TI	D80V56T (D80V56ST)	D80V56TM (D80V56STM)	D80V56TI (D80V56STI)
		SFP			SFP		
Magnification	(Low)	5 x			8x		
	(High)	50 x			80x		
Effective Lens Diameter		56mm			56mm		
Body Tube Diameter		34mm			34mm		
Exit pupil	(Low)	-			-		
	(High)	1.12mm			0.7mm		
Field of View (real)	(Low)	4.0°			2.5°		
	at 100yds	21.0ft			13.20ft		
	at 100m	6.98m			4.36m		
	(High)	0.4°			0.25°		
	at 100yds	2.1ft			1.30ft		
	at 100m	0.7m			0.44m		
Eye Relief	(Low)	96-101mm			89-95mm		
	(High)	92-98mm			83-97mm		
1 Click Adjustment		1/8MOA			1/8MOA		
Elevation Travel		60MOA			60MOA		
Windage Travel		40MOA			40MOA		
Focus		Side focus			Side focus		
Distance		10YD-∞			10YD-∞		
Reticle		CH 1/8dot 3/32dot 1/16dot Di-plex	MTR-1 MTR-2 MTR-3 MTR-4 MTR-5 MTR-FT MTR-RTM	CH 1/8dot 3/32dot 1/16dot Di-plex	MTR-1 MTR-2 MTR-3 MTR-4 MTR-5 MTR-FT MTR-RTM		
Illuminated		X		○		X	
Adjustment cap		X		X		○	
Adjustment dial		Tactical		Tactical			
Adj. 0-set Device		○		○			
Weight		825g	830g	855g	835g	845g	865g

- High Master lens system (Super ED lenses)
- Temperature Anti-Drift Lens System
- Shimmer Protection



### The High Master Lens System

Super ED lenses, which are even closer to fluorite than ED\* lenses and have excellent chromatic aberration correction capability, are used. This allows the March scope to render extremely natural colors. The extremely low chromatic aberration allows the user to see the target with a clear image.

\*ED (Extra-low Dispersion) lens : Reduce the color separation effect of prisms.

### March-X High Master 10x-60x56

March-X High Master 10x-60x56 was developed based on the highly acclaimed 10x-60x52 and a new optical High Master lens system was adopted to further improve its optical performance. Super ED lenses in the High Master lens system are used to achieve extremely high resolution and natural color images from the center to the periphery of the image. This 10x-60x56 scope also employs Temperature Anti-Drift Lens System creating a more stable lens system that naturally adapts to changes in temperature to maintain focus and clarity over a wide range of conditions. We recently found March-X 10-60X56 HM (High Master) with Super ED glass is apparently able to remain at a higher magnification in periods of heavy “mirage.” The 10x-60x56 features a 56mm objective lens and 34mm body tube for brighter images, superior reliability, and robustness. Focus adjustment is possible from 10 yards to infinity, making it suitable for both short-range competitions such as field target shooting and long-range shooting such as F class shooting.

		March-X		
		10x-60x56		
		D60HV56T	D60HV56TM	D60HV56TI
		SFP		
Magnification	(Low)	10x		
	(High)	60x		
Effective Lens Diameter		56mm		
Body Tube Diameter		34mm		
Exit pupil	(Low)	-		
	(High)	0.94mm		
Field of View (real)	(Low)	1.9°		
	at 100yds	10.2ft		
	at 100m	3.40m		
	(High)	0.32°		
	at 100yds	1.7ft		
	at 100m	0.57m		
Eye Relief	(Low)	80-107mm		
	(High)	92-102mm		
1 Click Adjustment		1/8MOA		
Elevation Travel		60MOA		
Windage Travel		40MOA		
Focus		Side focus		
Distance		10YD- ∞		
Reticle	CH	MTR-1		
	1/8dot	MTR-2		
3/32dot	MTR-3			
1/16dot	MTR-4			
Di-plex	MTR-5			
		MTR-FT		
		MTR-RTM		
Illuminated		X		○
Adjustment cap		X		
Adjustment dial		Tactical		
Adj. 0-set Device		○		
Weight		910g	915g	945g

# March 10x-60x52mm

- Second Focal Plane
- 52mm Objective lens
- 30mm Body Tube
- ED lens



### March 10x-60x52

The 10x-60x52mm riflescope was developed for long-range shooters. The 52mm objective lens adopts ED glass to minimize chromatic aberration and reproduce bright, natural colors. It is capable of focusing from 10 yards to infinity at any magnification, making it a popular series used in a wide range of competitions, including air rifle, field target, .22 rimfire benchrest, and centerfire benchrest shooting.

		March				
		10x-60x52				
		D60V52L	D60V52LM	D60V52T	D60V52TM	D60V52TI
		SFP				
Magnification	(Low)	10x				
	(High)	60x				
Effective Lens Diameter		52mm				
Body Tube Diameter		30mm				
Exit pupil	(Low)	-				
	(High)	0.86mm				
Field of View (real)	(Low)	2.0°				
	at 100yds	10.5ft				
	at 100m	3.49m				
	(High)	0.333°				
	at 100yds	1.7ft				
	at 100m	0.58m				
Eye Relief	(Low)	88-99mm				
	(High)	95-101mm				
1 Click Adjustment		1/8MOA				
Elevation Travel		60MOA				
Windage Travel		40MOA				
Focus		Side focus				
Distance		10YD-∞				
Reticle	CH 1/8dot 3/32dot 1/16dot Di-plex	MTR-1 MTR-2 MTR-3 MTR-4 MTR-5 MTR-FT MTR-RTM	CH 1/8dot 3/32dot 1/16dot Di-plex	MTR-1 MTR-2 MTR-3 MTR-4 MTR-5 MTR-FT MTR-RTM		
			X			○
Illuminated		○			X	
Adjustment cap		○			X	
Adjustment dial		Normal			Tactical	
Adj. 0-set Device		X			○	
Weight		685g	690g	700g	705g	735g

# March compact

2.5x-25x42mm

2.5x-25x52mm

- Second Focal Plane
- Compact Body
- 10x ratio zoom
- ED lens



2.5x-25x42mm



2.5x-25x52mm



### March 2.5x-25x42 and 2.5x-25x52

The March 2.5x-25x42 and 2.5x-25x52 riflescopes are suitable for hunting and medium to close range shooting. The superior optics are housed in a strong 30mm body tube, making them compact and lightweight. The 42mm and 52mm objective lenses adopt ED lenses to minimize chromatic aberration and provide bright, natural colors. With a maximum magnification of up to 25x, this rifle scope is easy to handle in the woods and when shooting at close range offering high performance in a compact package. The side focus allows focusing from 10 yards to infinity at any magnification from 2.5x to 25x maximum.

		March Compact									
		2.5x-25x42					2.5x-25x52				
		D25V42	D25V42M	D25V42T	D25V42TM	D25V42TI	D25V42TML	D25V42T1ML	D25V52T	D25V52TM	D25V52TI
		SFP					SFP				
Magnification	(Low)	2.5x					2.5x				
	(High)	25x					25x				
Effective Lens Diameter		42mm					52mm				
Body Tube Diameter		30mm					30mm				
Exit pupil	(Low)	-					-				
	(High)	1.68mm					2.08mm				
Field of View (real)	(Low)	8.0°					8.0°				
	at 100yds	42.0ft					42.0ft				
	at 100m	13.99m					13.99m				
	(High)	0.8°					0.8°				
	at 100yds	4.2ft					4.2ft				
	at 100m	1.40m					1.40m				
Eye Relief	(Low)	85-100mm					85-100mm				
	(High)	89-96mm					89-96mm				
1 Click Adjustment		1/4MOA			0.1MIL		1/4MOA		0.1MIL		
Elevation Travel		100MOA			28MIL		120MOA		34MIL		
Windage Travel		100MOA			28MIL		60MOA		17MIL		
Focus		Side focus					Side focus				
Distance		10YD~∞					10YD~∞				
Reticle		CH 1/4Dot Di-plex	MTR-1 MTR-2 MTR-3 MTR-4 MTR-5 MTR-FT MTR-RTM	CH 1/4Dot Di-plex	MTR-1 MTR-2 MTR-3 MTR-4 MTR-5 MTR-FT MTR-RTM	MML	MML FD-1 FD-2	CH 1/4Dot Di-plex	MTR-1 MTR-2 MTR-3 MTR-4 MTR-5 MTR-FT MTR-RTM	MML	MML FD-1 FD-2
Illuminated		X		○	X	○	X	○	X	○	
Adjustment cap		○		X			X				
Adjustment dial		Normal		Tactical			Tactical				
Adj. 0-set Device		X		○			○				
Weight		590g	595g		625g	595g	625g	655g	685g	655g	685g

# March compact

## 1.5x-15x42mm

- Second Focal Plane
- Compact Body
- 10x ratio zoom
- ED lens



.....

### Fast focus eyepiece

Fast focus diopter system will enable you to adjust from -2D to +2D in 1 revolution.

Eyepiece diopter can be rapidly adjusted.

### March Compact 1.5x-15x42

In response to requests from hunters, March's 10x ratio zoom has been set from 1.5x to 15x. At the lowest magnification of 1.5x, it fits comfortably in the field of vision of both eyes and can be used to stop and aim (the act of finishing off a trapped animal to ensure its capture) at 2-3 m. The maximum magnification of 15x can be used for precision shooting at long distances where the magnification of around 10x was not enough. The newly designed 42mm objective lens group captures about 3 times more light than the March 1x-10x24 while having almost the same overall length, resulting in a high-resolution, bright image. This feature is also effective even at dusk. The lens is about 45mm shorter than the 2.5x-25x42, which has the same 42mm objective diameter, making it even easier to maneuver when moving in the mountains.

		March Compact		
		1.5x-15x42		
		D15V42Ti	D15V42TiML	D15V42iML
		SFP		
Magnification	(Low)	1.5x		
	(High)	15x		
Effective Lens Diameter		42mm		
Body Tube Diameter		30mm		
Exit pupil	(Low)	8.7mm		
	(High)	2.8mm		
Field of View (real)	(Low)	13.3°		
	at 100yds	70.2ft		
	at 100m	23.4m		
	(High)	1.33°		
	at 100yds	7ft		
	at 100m	2.3m		
Eye Relief	(Low)	69-113mm		
	(High)	74-94mm		
1 Click Adjustment		1/4MOA	0.1MIL	
Elevation Travel		80MOA	24MIL	40MIL
Windage Travel		36MOA	14MIL	40MIL
Focus		Side focus		
Distance		10YD-∞		
Reticle		MTR-3	MML	
		MTR-4	FD-1	
		MTR-5	FD-2	
Illuminated		○		
Adjustment cap		X		○
Adjustment dial		Tactical		Normal
Adj. 0-set Device		○		X
Weight		620g	620g	610g

# March compact 1x-10x24mm

- Second Focal Plane
- 24mm Objective lens
- 30mm Body Tube
- 10x ratio zoom
- Compact body



The March 1x-10x24mm rifle scope is suitable for hunting and medium to close range shooting. It is compact and lightweight with excellent optics in a strong 30mm body tube. With a maximum magnification of up to 10x, the compact March is a rifle scope that can be used in a wide range of situations, from close range shooting in the woods to long range shooting. The side focus allows focusing from 10 yards at close range to infinity at any magnification from 1x to a maximum of 10x.

		March Compact						
		1x-10x24						
		D10V24	D10V24M	D10V24T	D10V24TM	D10V24TI	D10V24TML	D10V24TIML
		FFP						
Magnification	(Low)	1x						
	(High)	10x						
Effective Lens Diameter		24mm						
Body Tube Diameter		30mm						
Exit pupil	(Low)	-						
	(High)	2.4mm						
Field of View (real)	(Low)	20.0°						
	at 100yds	105.8ft						
	at 100m	35.27m						
	(High)	2.0°						
	at 100yds	10.5ft						
	at 100m	3.49m						
Eye Relief	(Low)	86-98mm						
	(High)	86-96mm						
1 Click Adjustment		1/4MOA					0.1MIL	
Elevation Travel		200MOA					56MIL	
Windage Travel		200MOA					56MIL	
Focus		Side focus						
Distance		10YD~∞						
Reticle		Di-plex	MTR-1 MTR-2 MTR-3 MTR-4 MTR-5	Di-plex	MTR-1 MTR-2 MTR-3 MTR-4 MTR-5	MML	MML FD-1 FD-2	
Illuminated		X			○		X	○
Adjustment cap		○			X			
Adjustment dial		Normal			Tactical			
Adj. 0-set Device		X			○			
Weight		500g	505g		530g	505g	530g	

# March compact 1x-4.5x24mm

- Second Focal Plane
- 24mm Objective lens
- 30mm Body Tube
- Compact body



The March 1x-4.5x24mm is the first scope in the March series to be developed based on the rules of U.S. service rifle competition, with an emphasis on use at low magnification. The scope has a 16mm pupil diameter at 1X to ensure that you will not lose your field of view even when shooting in a split second. Despite its low magnification, the scope can be focused at close range from 10 yards to infinity by adjusting the side focus turret. The MTR-D2 and MTR-D3 reticles are specially designed for the service rifle competition, which are very easy to use for competitive shooters who do not need more than 4.5x magnification.

		March Compact
		1x-4.5x24
		D4.5V24TM
		SFP
Magnification	(Low)	1x
	(High)	4.5x
Effective Lens Diameter		24mm
Body Tube Diameter		30mm
Exit pupil	(Low)	16mm
	(High)	5.33mm
Field of View (real)	(Low)	19.0°
	at 100yds	100.4ft
	at 100m	33.47m
	(High)	4.22°
	at 100yds	22.1ft
Eye Relief	(Low)	73-103mm
	(High)	73-100mm
1 Click Adjustment		1/4MOA
Elevation Travel		200MOA
Windage Travel		200MOA
Focus		Side focus
Distance		100YD-∞
Reticle		MTR-D2 MTR-D3 MTR-5
Illuminated		X
Adjustment cap		X
Adjustment dial		Tactical
Adj. 0-set Device		○
Weight		500g

# March compact 1x-4x24mm

- 24mm Objective lens
- 30mm Body Tube
- Compact body



March 1x-4x24mm is suitable for short and middle range hunting with simple features. The 17.8 mm exit pupil at 1x enable the user to concentrate faster on the target. This scope is an excellent choice for short and middle range hunting, including moving targets. It is suitable for the harshest of environments. Compact scope weighing only 490g (17.28oz). The FD-1 and FD-2 reticle has a bright center dot even in daytime.

		March Compact
		1x-4x24
		D4V24MIL
		SFP
Magnification	(Low)	1x
	(High)	4x
Effective Lens Diameter		24mm
Body Tube Diameter		30mm
Exit pupil	(Low)	17.8mm
	(High)	6mm
Field of View (real)	(Low)	19.0°
	at 100yds	100.4ft
	at 100m	33.47m
	(High)	4.7°
	at 100yds	24.9ft
	at 100m	8.2m
Eye Relief	(Low)	64-94mm
	(High)	61-94mm
1 Click Adjustment		0.1MIL
Elevation Travel		56MIL
Windage Travel		56MIL
Focus		-
Distance		100YD Fix
Reticle		FD-1 FD-2
Illuminated		○
Adjustment cap		○
Adjustment dial		Normal
Adj. 0-set Device		X
Weight		490g

# March

Fixed power

48x52mm  
40x-60x52mm

- 52mm objective lens
- 30mm Body Tube
- High Master lens system (Super ED lenses)
- Shimmer protection



## 48x52

Based on the 40x52mm lens that has been proven in various competitions, a newly designed 52mm lens is incorporated and the magnification is set at 48x. An ideal fixed 48x52 scope with high reliability and toughness as well as bright, high-resolution optical performance being a perfect choice for benchrest shooting. Employing the new High Master lens system which adopts Super ED lenses, it has resulted in an even higher resolution to the periphery and natural colors. A highly reliable erector mechanism and reticle adjustment mechanism against POA shift are employed and we guarantee zero POA shift. Focus adjustment from 10 yards to infinity for various competitions from short range to long range.

## 40x-60x52 EP-ZOOM

The 40x-60x52 EP-ZOOM dedicated for benchrest competitions also uses the same newly designed High Master lens system as the 48x52mm, with a further increase in magnification to 40x-60x. Basically this is a 55x fixed focus scope magnifying with an eyepiece in the range of 40-60x. You are looking at the same image as through a fixed scope. Essentially this is a fixed scope and we guarantee zero POA shift. Please note that the ocular lens extends when changing the magnification.

		March Fixed Power	
		48x52	40x-60x52
		D48F52	D60EV52
		SFP	SFP
Magnification	(Low)	48x	40x
	(High)		60x
Effective Lens Diameter		52mm	52mm
Body Tube Diameter		30mm	30mm
Exit pupil	(Low)	-	1.24mm
	(High)	1.08mm	0.89mm
Field of View (real)	(Low)	0.52°	0.49°
	at 100yds	2.7ft	2.6ft
	at 100m	0.9m	0.85m
	(High)		0.44°
	at 100yds	-	2.5ft
	at 100m		0.77m
Eye Relief	(Low)	66-81mm	71-89mm
	(High)		59-72mm
1 Click Adjustment		1/8MOA	1/8MOA
Elevation Travel		60MOA	60MOA
Windage Travel		40MOA	40MOA
Focus		Side focus	Side focus
Distance		10YD-∞	10YD-∞
Reticle	CH	CH	CH
	1/8Dot	1/8Dot	1/8Dot
	3/32Dot	3/32Dot	3/32Dot
	1/16Dot	1/16Dot	1/16Dot
	LR	LR	LR
Illuminated		X	X
Adjustment cap		○	○
Adjustment dial		Normal	Normal
Adj. 0-set Device		X	X
Weight		635g	680g

# Various dials

## Shuriken lock elevation and windage turrets

Shuriken shaped lockable elevation and windage turrets. “Shuriken” is a star shaped throwing knife used by Ninja. Red is for locked state and white is for unlocked state. "X" in the model name stands for the Shuriken lock.

---



## Tactical Model with exposed turrets

The elevation dial and windage dial have larger tactical (exposed) dials that are easy to operate, allowing accurate operation even in gloved conditions. The elevation dial has a 0-Set function that allows easy return to a pre-set reference position.

---





### **Normal Model with capped turrets**

A cap is included to protect the elevation and windage dials. This prevents the dials from inadvertently turning during hunting or transit.

---



### **Illuminated Model**

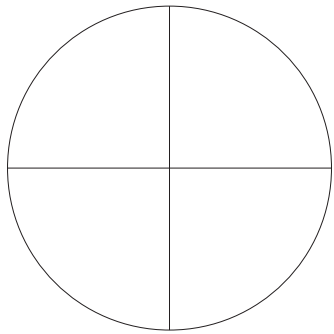
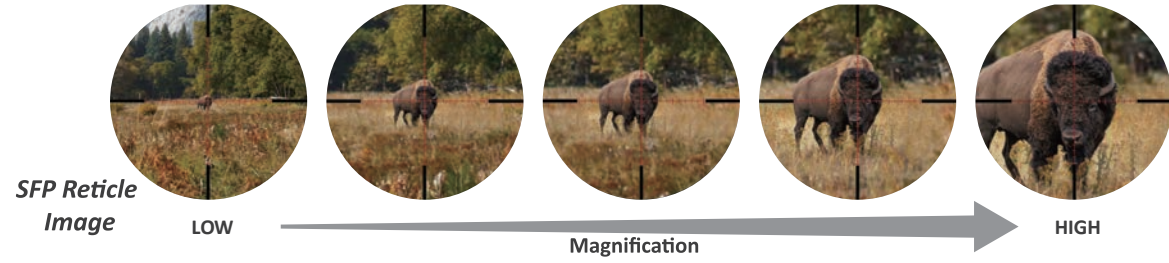
This model has a reticle illumination device added to the focus dial. When aiming at dusk or a black target, the reticle glows red to ensure that the aiming point is visible. The illumination can be adjusted in 6 or 4 brightness levels depending on the surrounding environment. An automatic one-hour turn-off function reduces unnecessary battery consumption.

---

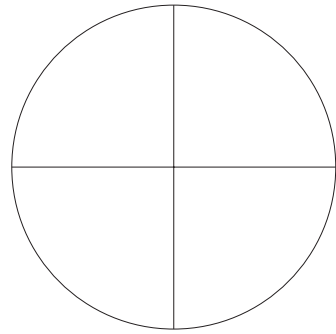


# Second Focal Plane Reticles

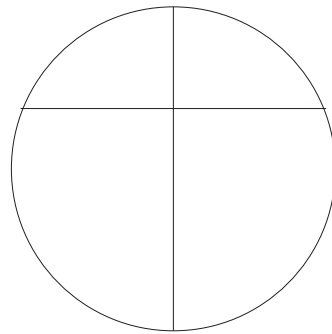
For the second focal plane reticle (SFP), the size of the reticle does not change as the magnification is changed. Only the target is zoomed. Therefore, the angle indicated by the scale changes with each magnification. For example, a 20 MOA scale at 10x becomes 40 MOA at 5x and 10 MOA at 20x. The reticle does not become thicker even at high magnification, making it suitable for precision shooting.



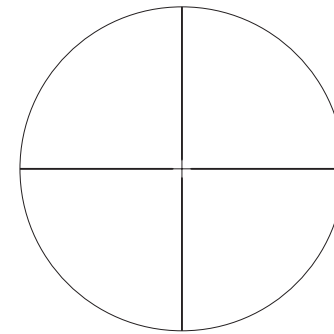
**Cross Hair**



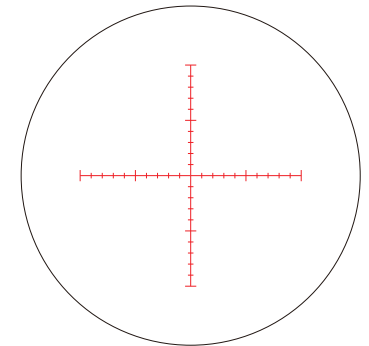
**Dot**



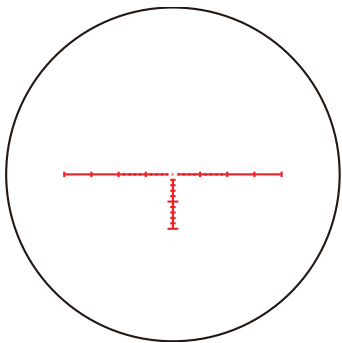
**LR**



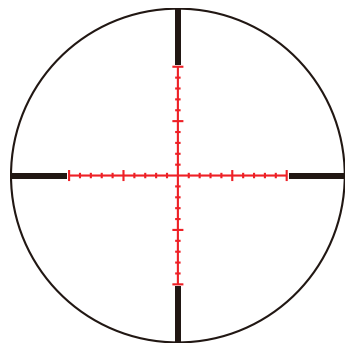
**Di-plex**



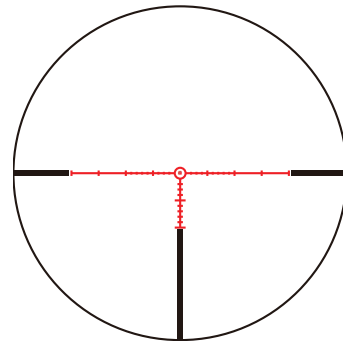
**MTR-1**



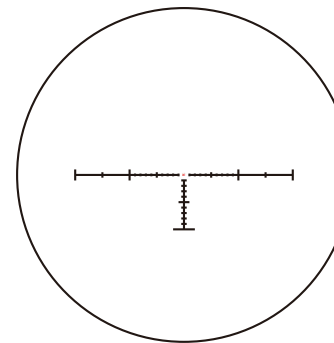
**MTR-2**



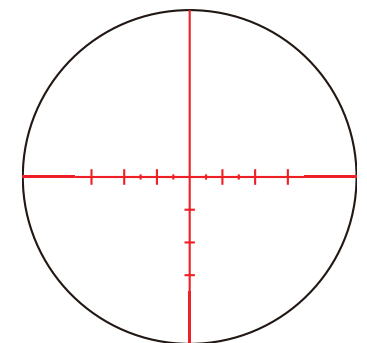
**MTR-3**



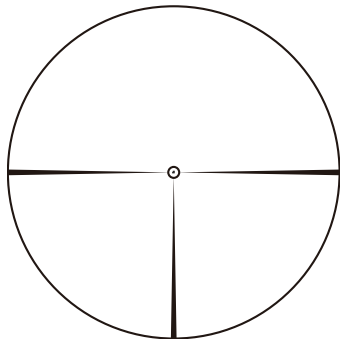
**MTR-4**



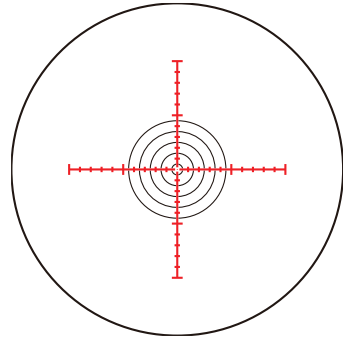
**MTR-5**



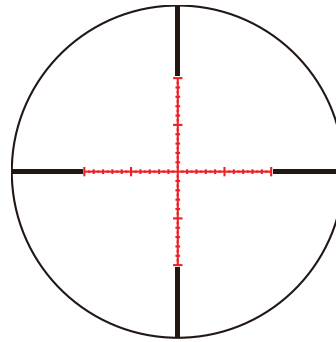
**MTR-FT**



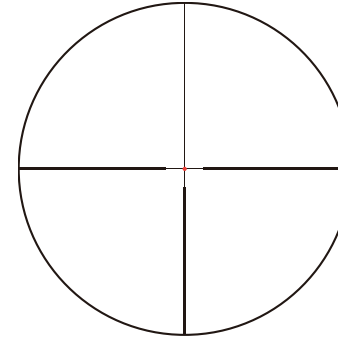
**MTR-D3**



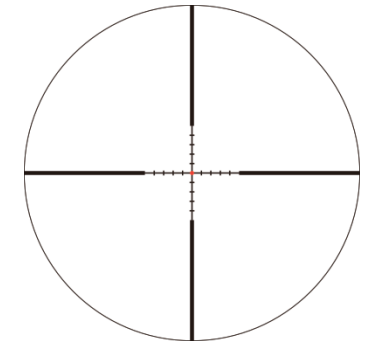
**MTR-RTM**



**MML**

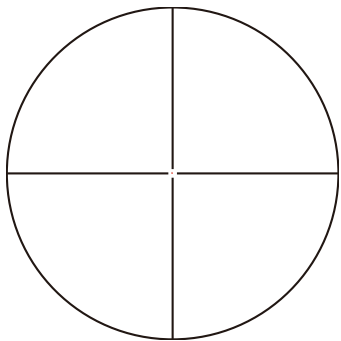


**FD-1**

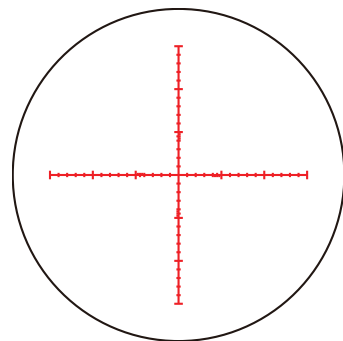


**FD-2**

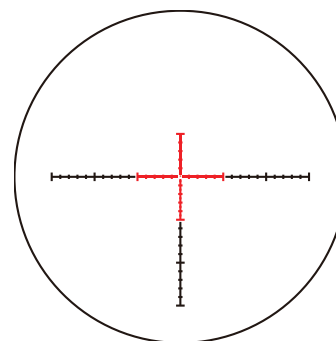
SFP reticles for March 8-80x56 HM Majesta



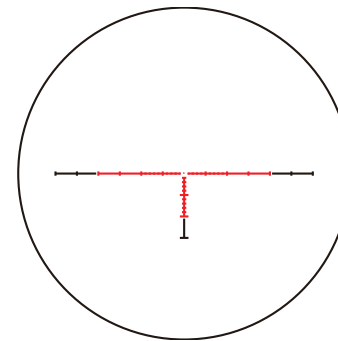
**W-Dot**



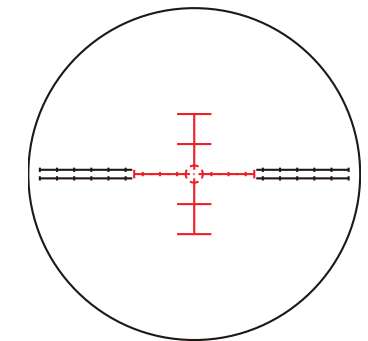
**MTR-W0**



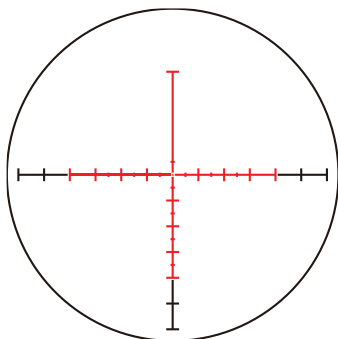
**MTR-W1**



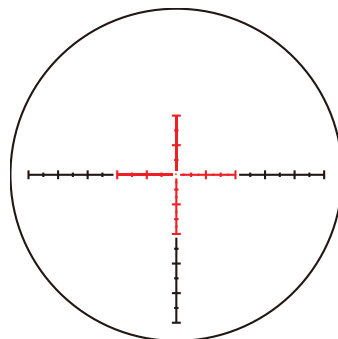
**MTR-W2**



**MTR-WFD**

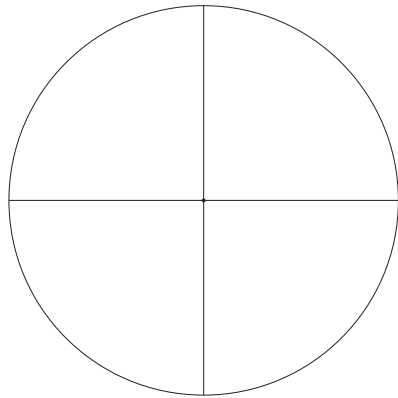


**MTR-WFT**



**MML-W1**

# Reticle Size

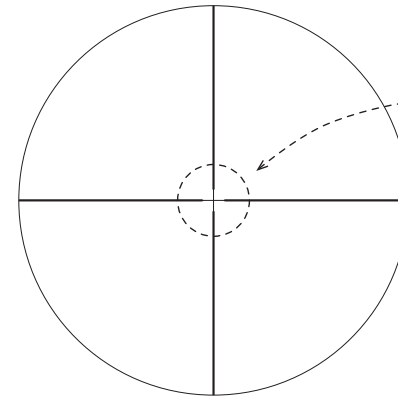


Dot

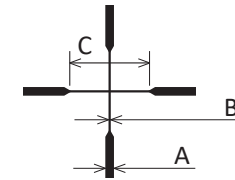
Dot Size: 1/16 MOA  
3/32 MOA  
1/8 MOA  
1/4 MOA

Dot size depends on each model.  
See right table.

Standard mag. of Dot Size	
48x52	48x
1x-10x24	10x
2.5x-25x42, 52	25x
10x-60x52, 56	40x
5x-50x56	40x
8x-80x56	40x

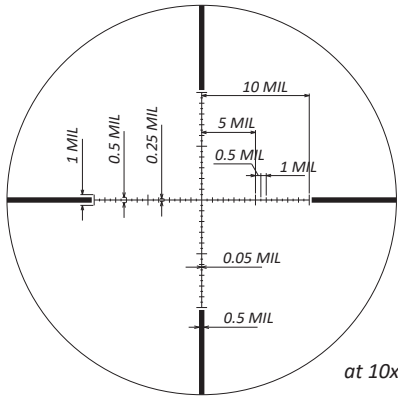


Di-plex



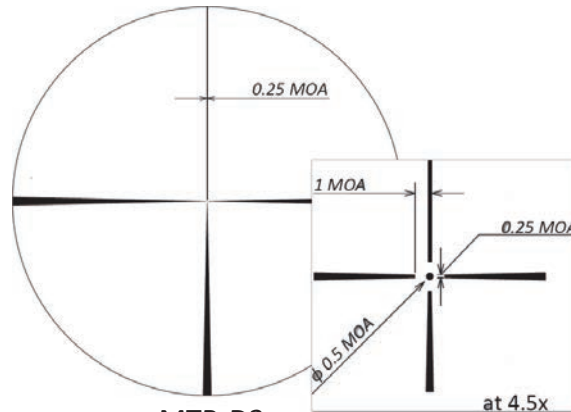
Conversion value at 100 yards

	10x	25x
A	0.80 inch	0.32 inch
B	0.21 inch	0.084 inch
C	7.48 inch	2.99 inch

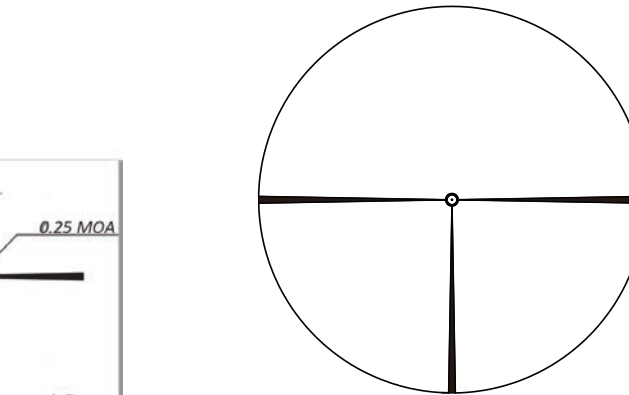


MML

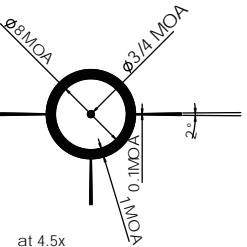
at 10x



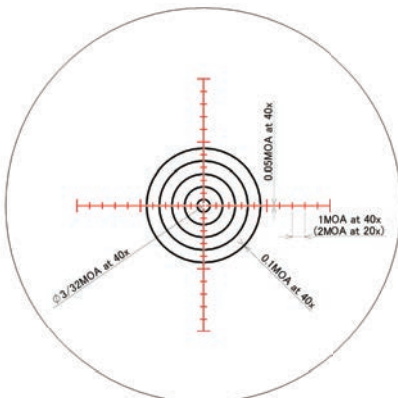
MTR-D2



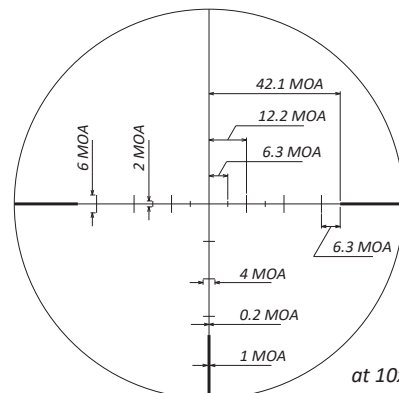
MTR-D3



at 4.5x

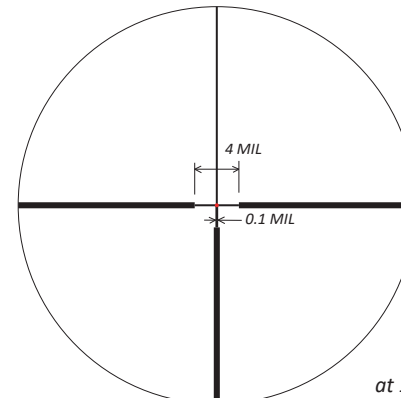


MTR-RTM



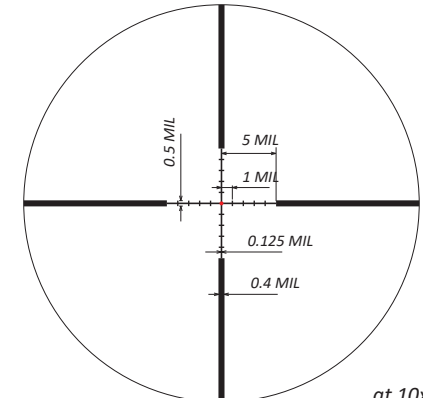
MTR-FT

at 10x



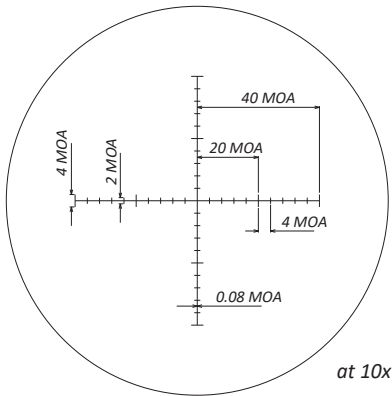
FD-1

at 10x

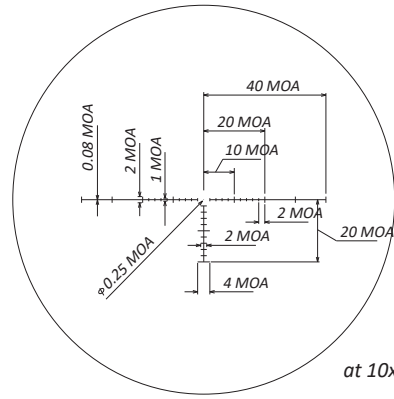


FD-2

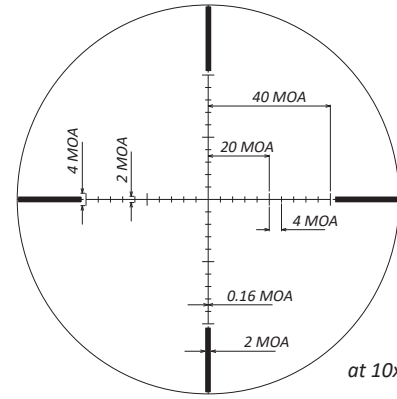
at 10x



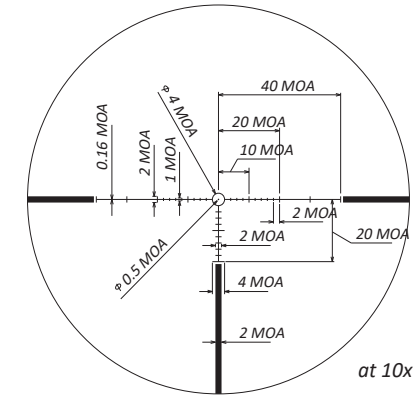
MTR-1



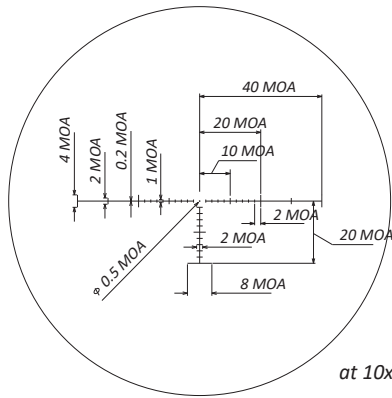
MTR-2



MTR-3



MTR-4



MTR-5

MTR-1, MTR-3

Value of 1 division (inch)

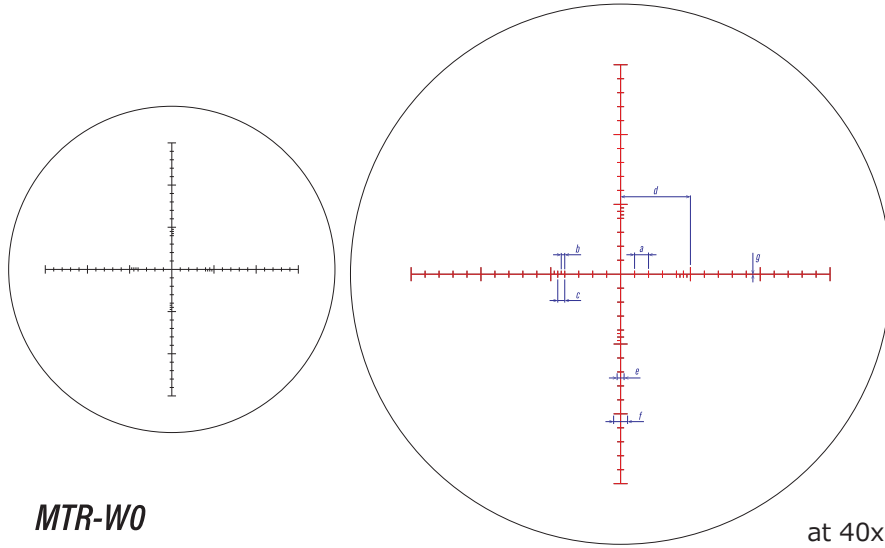
	5x	8x	10x	15x	20x	25x	40x	50x	60x	80x
1div.	8MOA	5MOA	4MOA	2.67MOA	2MOA	1.6MOA	1MOA	.8MOA	.67MOA	.50MOA
100yd	8.38	5.24	4.19	2.79	2.09	1.68	1.05	0.84	0.70	0.52
200yd	16.75	10.47	8.38	5.58	4.19	3.35	2.09	1.68	1.40	1.05
300yd	25.13	15.71	12.56	8.38	6.28	5.03	3.14	2.51	2.09	1.57
600yd	50.26	31.41	25.13	16.75	12.56	10.05	6.28	5.03	4.19	3.14
1,000yd	83.76	52.35	41.88	27.92	20.94	16.75	10.47	8.38	6.98	5.24

MTR-2, MTR-4, MTR-5

Value of 1 division (inch)

	5x	8x	10x	15x	20x	25x	40x	50x	60x	80x
1div.	4MOA	2.5MOA	2MOA	1.33MOA	1MOA	.8MOA	.5MOA	.4MOA	.33MOA	.25MOA
100yd	4.19	2.62	2.09	1.40	1.05	0.84	0.52	0.42	0.35	0.26
200yd	8.38	5.42	4.19	2.79	2.09	1.68	1.05	0.84	0.70	0.52
300yd	12.56	7.85	6.28	4.19	3.14	2.51	1.57	1.26	1.05	0.79
600yd	25.13	15.71	12.56	8.38	6.28	5.03	3.14	2.51	2.09	1.57
1,000yd	41.88	26.18	20.94	13.96	10.47	8.38	5.24	4.19	3.49	2.62

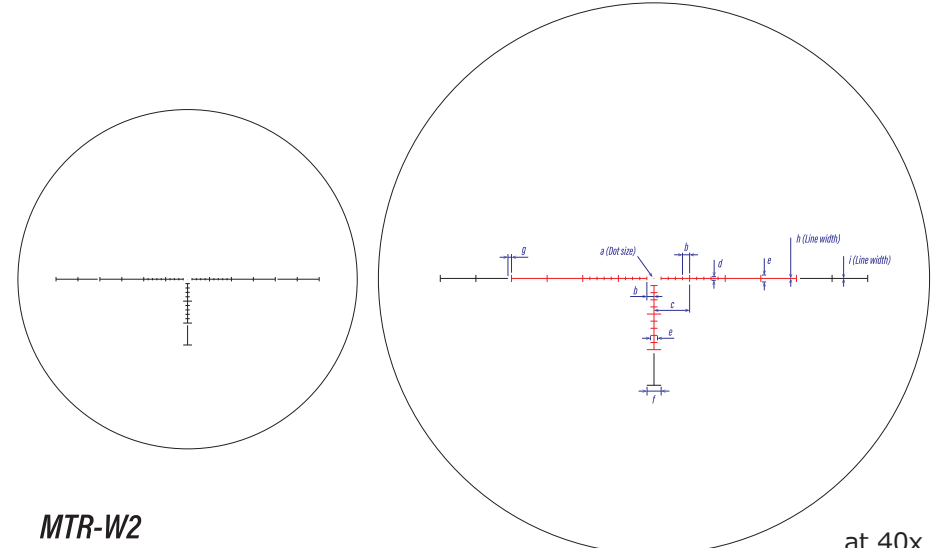
# Reticle Size for 8x-80x56HM Majesta



**MTR-W0**

at 40x

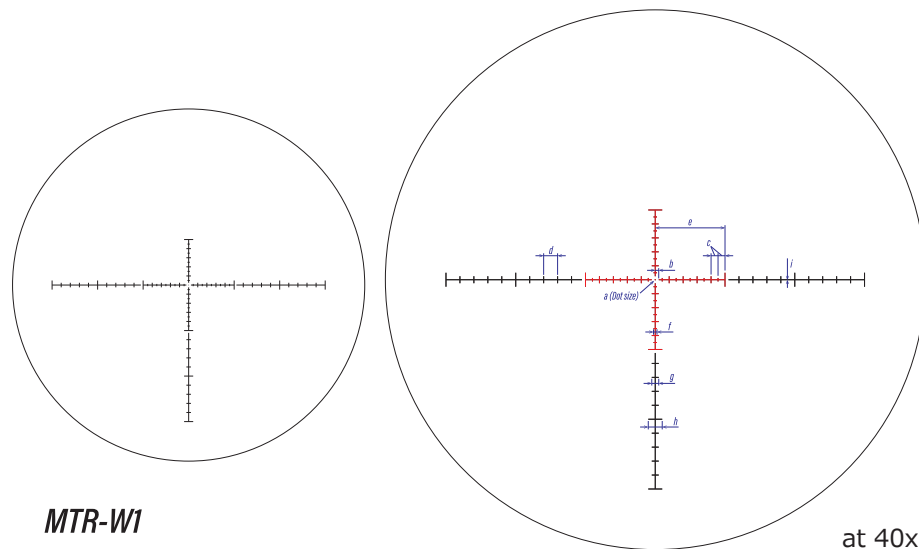
magnif.	unit	a	b	c	d	e	f	g
40x	cm/100m	2.9	0.7	1.5	14.5	1.5	2.9	0.06
	in/100yd	1.05	0.26	0.52	5.24	0.52	1.05	0.02
	moa	1	1/4	1/2	5	0.5	1	0.02



**MTR-W2**

at 40x

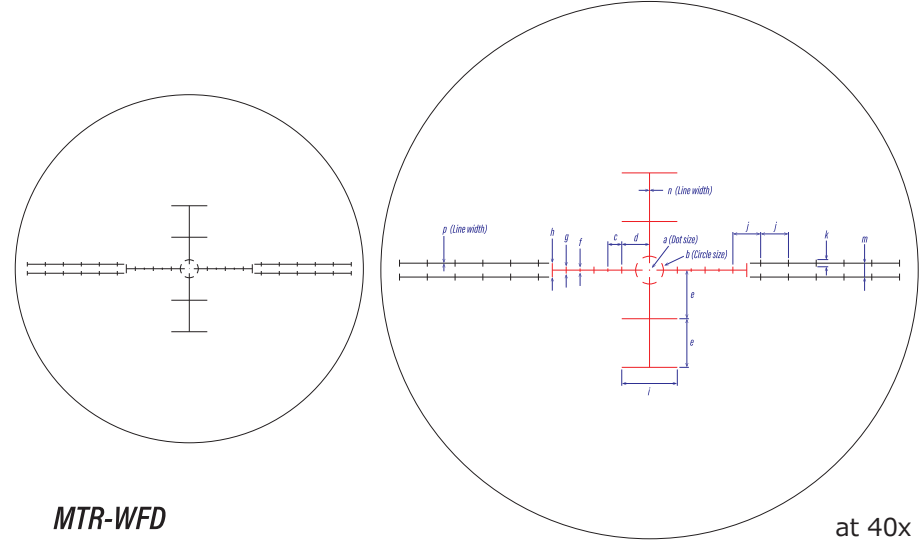
magnif.	unit	a	b	c	d	e	f	g	h	i
40x	cm/100m	0.2	1.5	7.3	0.7	1.5	2.9	0.7	0.06	0.12
	in/100yd	0.07	0.52	2.62	0.26	0.52	1.05	0.26	0.02	0.04
	moa	1/16	0.5	2.5	0.25	0.5	1	0.25	0.02	0.04



**MTR-W1**

at 40x

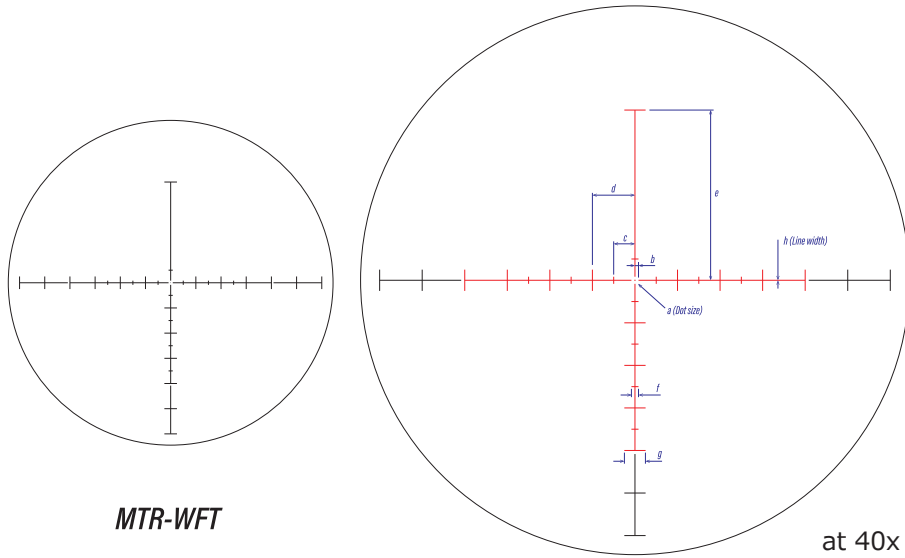
magnif.	unit	a	b	c	d	e	f	g	h	i
40x	cm/100m	0.3	0.7	1.5	2.9	14.5	0.7	1.5	2.9	0.06
	in/100yd	0.10	0.26	0.52	1.05	5.24	0.26	0.52	1.05	0.02
	moa	3/32	0.25	0.5	1	5	0.25	0.5	1	0.02



**MTR-WFD**

at 40x

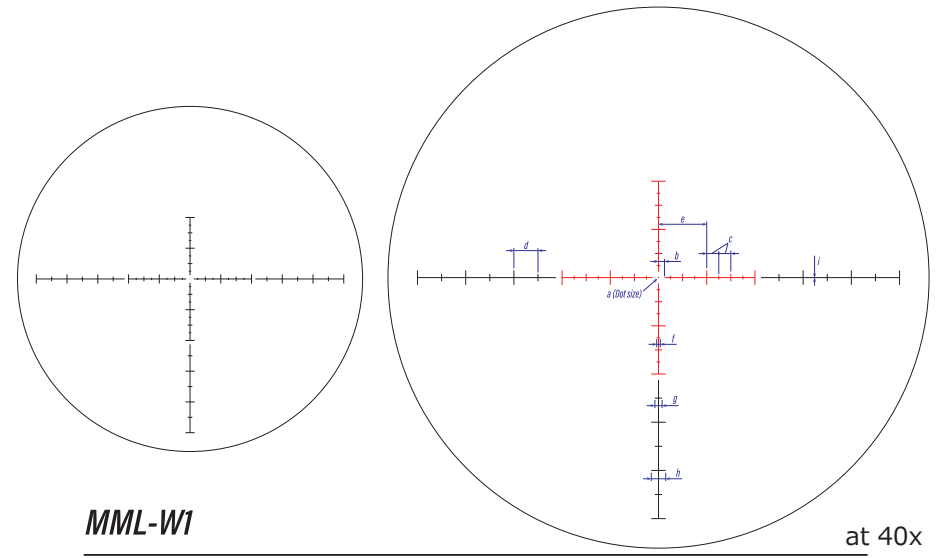
magnif.	unit	a	b/d/j	c/h/m	e	f	g/k	i	n	p
40x	cm/100m	-	-	-	-	-	-	-	-	-
	in/100yd	0.10	2.09	1.05	3.67	0.26	0.52	4.19	0.04	0.06
	moa	3/32	2	1	3.5	0.25	0.5	4	0.04	0.06



**MTR-WFT**

at 40x

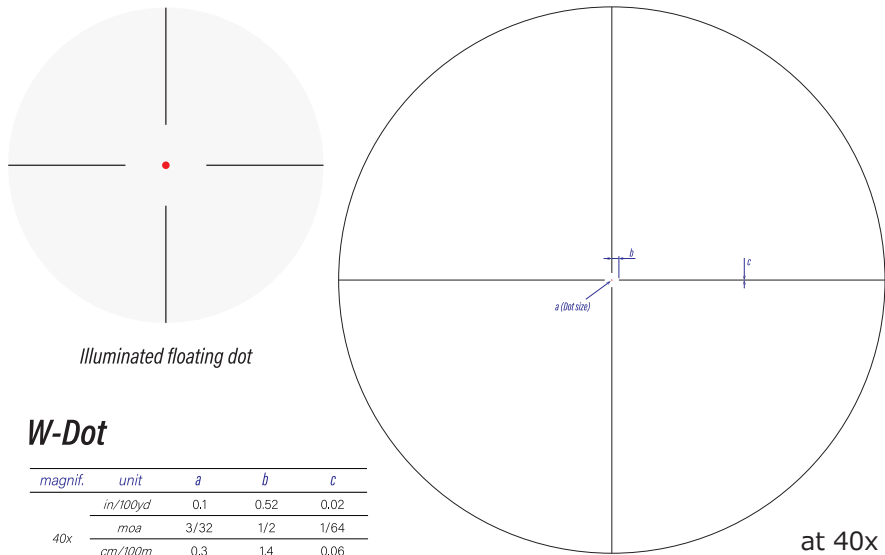
magnif.	unit	a	b	c	d	e	f	g	h	i
	cm/100m	-	-	-	-	-	-	-	-	-
40x	in/100yd	0.10	0.26	1.57	3.14	12.57	0.52	1.57	0.05	-
	moa	3/32	0.25	1.5	3	12	0.5	1.5	0.05	-



**MML-W1**

at 40x

magnif.	unit	a	b	c	d	e	f	g	h	i
	cm/100m	0.3	1.3	2.5	5.0	10.0	0.8	1.5	3.0	0.08
40x	in/100yd	0.11	0.45	0.90	1.80	3.60	0.27	0.54	1.08	0.03
	mrاد	0.03	0.125	0.25	0.5	1	0.07	0.15	0.3	0.008



**Illuminated floating dot**

**W-Dot**

at 40x

magnif.	unit	a	b	c
	in/100yd	0.1	0.52	0.02
40x	moa	3/32	1/2	1/64
	cm/100m	0.3	1.4	0.06
	mrاد	0.03	0.15	0.005

# Accessories



## Sunshade

3"(75mm) Long Hoods

Objective lens hood reduces stray light, flare and ghost images.

DB485-0 : 24mm models

2-DB179-0 : 42mm models

2-DB115-0 : 52mm models

2-DB256-0 : 56mm models



## Ultra Low Illumination Switch Module

DA233-UL

Depending on where you shoot, the normal illumination switch may be too bright. March offers a "Ultra low illumination switch" that is considerably darker than the standard module.



## Six Level Illumination Switch

DA656-0

The Six Level Illumination Switch lights up the reticle pattern for precision shooting in low light or night conditions. The shooter can choose from six levels of brightness to suit the conditions at the time. Rotating the knurled dial doubles the intensity with each increasing level while the rubber switch turns illumination on or off while maintaining the user-selected intensity level. To save batteries, the Illumination Switch will shut down after one hour of no use.



## MD Disk

DB740-0 : 42mm Objective models

DB062-0 : 52mm Objective models

DB269-0 : 56mm Objective models

MD Disk helps to reduce the amount of light coming into a scope by up to 50%, depending on the conditions. This light reduction increases the scopes depth of field and, perhaps more importantly for competition shooters, reduces the amount of seen mirage. Using a MD Disk at 60 or 80 power gives you a competitive advantage when the conditions turn bad and lets you see the target better than your competitor.



## Eyepiece rubber

DB499-0

This Eyepiece rubber can easily be attached to any eyepiece except for 40x-60x52, 5-42x56, 4.5-28x52 and 8x-80x56(Majesta) Rubber ring protects face from scope.



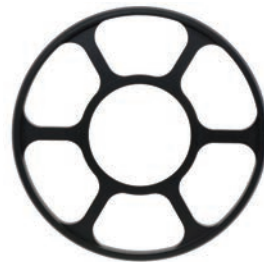
## Middle Focus Wheel

2-DB341-0 : Non-illuminated models

2-DB342-0 : Illuminated models

2-DB729-0 : For 5x-42x56, 8x-80x56(Majesta)

To help with fine or rapid focus changes at different distances, March scopes can be upgraded using a 49mm diameter Middle Focus Wheel.



## Large Wheel

2-DB343-0 : 3.5" wheel

2-DB402-0 : 4.5" wheel

Shooting at very close ranges often requires very fine adjustment of the focus dial. March has produced a Large Wheel to fit over the Middle Focus wheel to enhance the dial's ability to focus clearly. A great addition to Air Rifle Field Target and other close range rifle disciplines.



## 4.5" Wheel



DB392-0



DB393-0



## Large Dials

DB392-0 : 1x-4.5x, 1x-10x, 2.5x-25x, 1x-8x, 3x-24x, 5x-40x

DB393-0 : 10x-60x, 5x-50x, 8x-80x

DB739-A : 4.5x-28x52

March offers two blank dials for shooters to create their own Ballistic Drop Compensator (BDC). These blank BDCs replace the existing elevation knob on your March scope and let you create your own elevation adjustments to suit your load. Make any changes to your load and replace the tape on the dial quickly and easily. The blank dials can also be used for air rifle field events in conjunction with the Large Wheel for added accuracy at short ranges.





**Leather Caps**

- LC-24 : 24mm Objective lens
- LC-42 : 42mm Objective lens
- LC-52 : 52mm Objective lens
- LC-56 : 56mm Objective lens
- LC-EZ : EP-ZOOM

March offers optional Leather Caps that not only protect your valuable new scope but also provides a traditional look to a modern piece of optical art.



**Flip Caps**

- FC-41 : Eyepiece
- FC-46 : Wide angle eyepiece
- FC-33 : 24mm Objective lens
- FC-51 : 42mm Objective lens
- FC-60 : 52mm Objective lens
- FC-64 : 56mm Objective lens

The March Flip Caps can be locked in a fully open position. Having the caps lay flat against the scope body prevents breakage and gives the shooter a better view of the target area from over the scope.



**Spotting scope Accessories  
DA678-0**

- Tripod adapter with screws
- Middle focus wheel (34mm, 36mm, 39mm)
- Eyepiece extension ring
- Conversion ring for 5x-42, 4.5x-28, 8x-80x56(Majesta)



The Eyepiece extension ring included in the kit extends the eyepiece so you can use it with your eye attached to the eyepiece. As it is covered with rubber, you can look into it like a binocular or a spotting scope. The difference with a spotting scope is that you can use the same rifle scope (same model, same reticle) as the shooter. Scope is attachable with a mount ring corresponding to picatinny rail. Includes tripod screws attachable to tripod on the market. By zooming, you can achieve a wide view (at lower magnification) and also confirm the point of impact (at higher magnification). The reticle of the rifle scope will aid to correct the point of impact. Middle wheel will assist you in making a fine adjustment of the side focus.



**Fast Lever**

- DA411-B (Black)
- DA411-C (Opaque)

The Fast Lever helps move the eyepiece quickly and easily without the need to shift body or head positions. Ideal for rapid fire disciplines on targets at multiple ranges.



**Windage Dial**

- DB209-H  
(For Tactical type of 10x-60x, 5x-50x, and 8x-80x)

This Windage Dial reverses the standard dial on the scope so that now with this turret left wind is on the left and right wind is on the right, allowing shooters to instinctively cope with quick wind changes. There are engraving on both sides. Right:1-9, Left:1-9



**Honeycomb Hood**

**Anti reflective device (ARD)**

- DB391-A : 24mm objective models
- DB391-B : 42mm objective models
- DB391-C : 52mm objective models
- DB391-D : 56mm objective models

# First focal plane reticle scopes

		1x-8x24		1x10x24 Shorty				3x-24x42				3x-24x52				1.5x-15x42		4.5x-28x52									
		March-F		March-F		March-FX		March-F				March-F				March-FX		March-FX									
ITEM		D8V24FML	D8V24FIML	D10SV24FDIML (D10SV24FDIML_P)	D10SV24FDIMLN (D10SV24FDIMLN_P)	D10SV24FIML (D10SV24FIML_P)	D10SV24FDIMLX	D10SV24FIMLX	D24V42FML	D24V42FIML	D24V42FMA	D24V42FIMA	D24V52FML	D24V52FIML	D24V52FMA	D24V52FIMA	D15V42FDIMLX	D15V42FIMLX	D28HV52WFIMLX	D28HV52WFIMLX	D28HV52WFIMLX						
Magnification	(Low)	1x		1x				3x				3x				1.5x		4.5x									
	(High)	8x		10x				24x				24x				15x		28x									
Effective Lens Diameter		24mm		24mm				42mm				52mm				42mm		52mm									
Body Tube Diameter		30mm		30mm		34mm		30mm				30mm				34mm		34mm									
Exit pupil	(Low)	6.1mm		8.6mm				-				-				8.7mm		-									
	(High)	3mm		2.4mm				1.75mm				2.17mm				2.8mm		1.86mm									
Field of View (real)	(Low)	19.67°		19.2°				6.67°				6.67°				13.3°		5.56°									
	at 100yds	104ft		101.5ft				35ft				35ft				70.2ft		29.1ft									
	at 100m	34.67m		33.83m				11.66m				11.66m				23.4m		9.7m									
	(High)	2.46°		1.92°				0.83°				0.83°				1.33°		0.892°									
	at 100yds	12.9ft		10.1ft				4.3ft				4.3ft				6.9ft		4.7ft									
	at 100m	4.30m		3.35m				1.45m				1.45m				2.3m		1.56m									
Eye Relief	(Low)	74-102mm		72-102mm				85-100mm				85-100mm				72-97mm		70-93.7mm									
	(High)	74-97mm		75-100mm				89-96mm				89-96mm				73-98mm		72-90mm									
1 Click Adjustment		0.1MIL		0.1MIL				0.1MIL		1/4MOA		0.1MIL		1/4MOA		0.1MIL		0.1MIL		1/4MOA							
Elevation Travel		56MIL		56MIL		50MIL		28MIL		100MOA		34MIL		120MOA		40MIL		30MIL	100MOA								
Windage Travel		56MIL		56MIL		25MIL		28MIL		100MOA		17MIL		60MOA		20MIL		20MIL	65MOA								
Focus		Side focus		Side focus				Side focus				Side focus				Side focus		Side focus									
Distance		10YD-∞		10YD-∞				10YD-∞				10YD-∞				10YD-∞		10YD-∞									
		FFP		DR		FFP		DR		FFP		FFP		FFP		DR		FFP		FFP							
Reticle		FMC-1 FMC-2 FMC-3		DR-1 DR-TR1		FMC-1 FMC-2 FMC-3		DR-1F DR-TR1F		FMC-1 FMC-2 FMC-3		FML FML-1 FML-T1 FML-TR1H FML-MB		FML FML-1 FML-T1 FML-TR1H FML-MB		FMA-2 FMA-1		FML FML-1 FML-T1 FML-TR1H FML-MB		FML FML-1 FML-T1 FML-TR1H FML-MB		DR-TR2 FML-4		FML-PDK FML-LDK		FML-3 FML-TR1 FML-PDK1	FMA-3
Illuminated		X	○	○				X	○	X	○	X	○	X	○	○	○	○	X	○	○						
Adjustment cap		X		X	○	X	X	X	X				X				X		X								
Adjustment dial		Tactical		Tactical	Normal	Tactical	Tactical	Tactical	Tactical				Tactical				Tactical		Tactical								
Adj. 0-set Device		○		○	X	○	○	○	○				○				○		○								
MD Disk		X		X				○				○				○		○									
Sun Shade		△		△				○				○				○		○									
Scope size		A	256mm		214mm		215mm		312mm				336mm				268mm		318mm								
		B	129mm		89mm		130mm		139mm				139mm				119mm		129mm								
		C	33mm		33mm		34mm		51mm				60mm				51mm		60mm								
		D	41mm		41mm		41mm		41mm				41mm				41mm		46mm								
		E	35mm		35mm		X		81mm				105mm				65mm		93mm								
		F	92mm		90mm		85mm		92mm				92mm				84mm		96mm								
		G	49mm		35mm		40mm		53mm				53mm				41mm		42mm								
		H	42mm		48mm		52mm		48mm				48mm				41mm		49mm								
Weight		530 g	560 g	505 g		590g		590 g	615 g	590 g	615 g	655 g	680 g	655 g	680 g	700g	855g	880g	880g								

○ : Standard accessories    △: Optional item    X : None

5x-40x56 Gen- II						5x-42x56		4x-40x52			6x-60x56						ITEM	
March-FX						March-FX		March GENESIS			March GENESIS							
D40V56FML_G2	D40V56FML_G2	D40V56FML10_G2	D40V56FML10_G2	D40V56FMA8_G2	D40V56FMA8_G2	D42HV56WFIML	D42HV56WFIMA	D40V52GFIML	D40V52GFIML10	D40V52GFIMA	D60V56GFML	D60V56GFIML	D60V56GFML10	D60V56GFIML10	D60V56GFMA	D60V56GFIMA		
5x						5x		4x			6x						(Low) Magnification	
40x						42x		40x			60x						(High)	
56mm						56mm		52mm			56mm						Effective Lens Diameter	
34mm						34mm		-			-						Body Tube Diameter	
-						5.2mm		3.1mm			3.5mm						(Low) Exit pupil	
1.4mm						1.33mm		1.3mm			0.93mm						(High)	
4°						5.2°		6°			4.16°						(Low) Field of View	
21ft						26.2ft		31.5ft			21.8ft						at 100yds (real)	
6.98m						8.73m		10.50m			7.26m						at 100m	
0.5°						0.62°		0.6°			0.416°						(High)	
2.6ft						3.3ft		3.2ft			2.2ft						at 100yds	
0.87m						1.08m		1.05m			0.73m						at 100m	
96-100mm						71-90.4mm		68-86mm			67-82mm						(Low) Eye Relief	
92-98mm						74.2-90mm		71-85mm			63-82.5mm						(High)	
0.05MIL		0.1MIL		1/8MOA		0.1MIL	1/4MOA	0.05MIL	0.1MIL	1/4MOA	0.05MIL		0.1MIL		1/4MOA		1 Click Adjustment	
24MIL				76MOA		40MIL	130MOA	86MIL		300MOA		114MIL				400MOA		Elevation Travel
12MIL				38MOA		14MIL	48MOA	28MIL		100MOA		40MIL				150MOA		Windage Travel
Side focus						Side focus		Side focus			Side focus						Focus	
10YD-∞						10YD-∞		20m-∞			20m-∞						Distance	
FFP						FFP		FFP			FFP							
FML-1 FML-PDKI	FML-1 FML-PDKI	FML-1 FML-PDKI	FML-1 FML-PDKI	FMA-2	FMA-1	FML-MT FML-3 FML-TR1	FMA-MT FMA-3 FMA-TR1	FML-3 FML-TR1	FML-3 FML-TR1	FMA-3	FML-MT FML-3 FML-TR1	FML-MT FML-3 FML-TR1	FML-MT FML-3 FML-TR1	FML-MT FML-3 FML-TR1	FMA-MT	FMA-MT	Reticle	
X	○	X	○	X	○	○	○	○	○	○	X	○	X	○	X	○	Illuminated	
X						X		X			X						Adjustment cap	
Tactical						Tactical		Tactical			Tactical						Adjustment dial	
○						○		○			○						Adj. 0-set Device	
○						○		○			○						MD Disk	
○						○		○			○						Sun Shade	
389mm						355mm		331mm			400mm						A	
155mm						142mm		50mm			68mm						B	
64mm						64mm		60mm			64mm						C	
41mm						46mm		41mm			41mm						D	
146mm						117mm		84mm			132mm						E	
88mm						96mm		86mm			95mm						F	
66mm						52mm		160mm			173mm						G	
52mm						49mm		1.67°			2.5°						H	
900 g	925 g	900 g	925 g	900 g	925 g	980 g	980 g	1,280g			1,450 g	1,480 g	1,450 g	1,480 g	1,450 g	1,480 g	Weight	



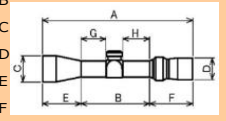
All scopes are argon gas filled.  
Specifications are subject to change without notice.

## Second focal plane reticle scopes

	48x52	40x-60x52	1x-4x24	1x-4.5x24	1x-10x24						1.5x-15x42			2.5x-25x42								
	March Fixed Power	March Fixed Power	March Compact	March Compact	March Compact						March Compact			March Compact								
ITEM	D48F52	D60EV52	D4V24IML	D4.5V24TM	D10V24	D10V24M	D10V24T	D10V24TM	D10V24TI	D10V24TML	D10V24TIML	D15V42TI	D15V42TIML	D15V42IML	D25V42	D25V42M	D25V42T	D25V42TM	D25V42TI	D25V42TML	D25V42TIML	
Magnification (Low)	48x	40x	1x	1x	1x						1.5x			2.5x								
Magnification (High)	48x	60x	4x	4.5x	10x						15x			25x								
Effective Lens Diameter	52mm	52mm	24mm	24mm	24mm						42mm			42mm								
Body Tube Diameter	30mm	30mm	30mm	30mm	30mm						30mm			30mm								
Exit pupil (Low)	-	1.24mm	17.8mm	16mm	-						8.7mm			-								
Exit pupil (High)	1.08mm	0.89mm	6mm	5.33mm	2.4mm						2.8mm			1.68mm								
Field of View (real)	(Low)	0.52°	0.49°	19.0°	19.0°						13.3°			8.0°								
	at 100yds	2.7 ft	2.6 ft	100.4 ft	100.4 ft						70.2 ft			42.0ft								
	at 100m	0.90 m	0.85 m	33.47 m	33.47 m						23.40 m			13.99m								
	(High)		0.44°	4.7°	2.0°						1.33°			0.8°								
	at 100yds		2.5 ft	24.9 ft	22.1 ft						10.5ft			4.2ft								
at 100m		0.77 m	8.20 m	7.37 m						3.49m			1.40m									
Eye Relief (Low)	66-81mm	71-89mm	64-94mm	73-103mm	86-98mm						69-113mm			85-100mm								
Eye Relief (High)	66-81mm	59-72mm	61-94mm	73-100mm	86-96mm						74-94mm			89-96mm								
1 Click Adjustment	1/8MOA	1/8MOA	0.1MIL	1/4MOA	1/4MOA			0.1MIL			1/4MOA	0.1MIL	0.1MIL	1/4MOA			0.1MIL					
Elevation Travel	60MOA	60MOA	56MIL	200MOA	200MOA			56MIL			80MOA	24MIL	40MIL	100MOA			28MIL					
Windage Travel	40MOA	40MOA	56MIL	200MOA	200MOA			56MIL			36MOA	14MIL	40MIL	100MOA			28MIL					
Focus	Side focus	Side focus	-	Side focus	Side focus						Side focus			Side focus								
Distance	10YD-∞	10YD-∞	100YD Fix	10YD-∞	10YD-∞						10YD-∞			10YD-∞								
	SFP	SFP	SFP	SFP	SFP						SFP			SFP								
Reticle	CH 1/8dot 3/32dot 1/16dot LR	CH 1/8dot 3/32dot 1/16dot LR	FD-1 FD-2	MTR-D2 MTR-D3 MTR-5	Di-plex	MTR-1 MTR-2 MTR-3 MTR-4 MTR-5	Di-plex	MTR-1 MTR-2 MTR-3 MTR-4 MTR-5	MML	FD-1 FD-2	MML	MTR-3 MTR-4 MTR-5	MML FD-1 FD-2	MML	CH 1/4dot Di-plex	MTR-1 MTR-2 MTR-3 MTR-4 MTR-5 MTR-FT MTR-RTM	CH 1/4dot Di-plex	MTR-1 MTR-2 MTR-3 MTR-4 MTR-5 MTR-FT MTR-RTM	MML	MML FD-1 FD-2	MML	FD-1 FD-2
Illuminated	X	X	○	X	X						○			X								
Adjustment cap	○	○	○	X	○						X			○								
Adjustment dial	Normal	Normal	Normal	Tactical	Normal			Tactical			Tactical		Normal		Normal			Tactical				
Adj. 0-set Device	X	X	X	○	X			○			○		X		X			○				
MD Disk	○	○	X	X	X						○			○								
Sun Shade	△	△	△	△	△						○			○								
scope size	A 370mm	374-397mm	258mm	260mm	262mm	264mm	262mm	264mm			268mm			312mm	314mm	312mm	314mm					
	B 177mm	162mm	129mm	131mm	135mm						111mm			139mm								
	C 60mm	60mm	33mm	33mm	33mm						51mm			51mm								
	D 41mm	41mm	41mm	41mm	41mm						41mm			41mm								
	E 126mm	126mm	35mm	35mm	35mm						68mm			81mm								
	F 67mm	86-109mm	94mm	94mm	92mm	94mm	92mm	94mm			87mm			92mm	94mm	92mm	94mm					
	G 70mm	70mm	49mm	49mm	49mm						36mm			53mm								
	H 70mm	55mm	42mm	46mm	48mm						37mm			48mm								
Weight	635 g	680 g	490 g	500 g	500 g	505 g		530 g	505 g	530 g	620 g	610 g	590 g	595 g			625 g	595 g	625 g			

○ : Standard accessories △: Optional item X : None

2.5x-25x52					10x-60x52					10x-60x56			5x-50X56			8x-80X56			8x-80X56		ITEM	
March Compact					March					March-X			March-X			March-X			March-X Majesta			
D25V52T	D25V52TM	D25V52TI	D25V52TML	D25V52TML	D60V52L	D60V52LM	D60V52T	D60V52TM	D60V52TI	D60HV56T	D60HV56TM	D60HV56TI	D50V56T	D50V56TM	D50V56TI	D80V56T (ST)	D80V56TM (STM)	D80V56TI (STI)	D80HV56WTIX-GR	D80HV56WTMLX-GR		
2.5x					10x					10x			5 x			8x			8x		(Low)	
25x					60x					60x			50 x			80x			80x		(High)	
52mm					52mm					56mm			56mm			56mm			56mm		Effective Lens Diameter	
30mm					30mm					34mm			34mm			34mm			34mm		Body Tube Diameter	
-					-					-			-			-			4.1mm		(Low)	
2.08mm					0.86mm					0.94mm			1.12mm			0.7mm			0.7mm		(High)	
8.0°					2.0°					1.9°			4.0°			2.5°			3.12°		(Low)	
42.0ft					10.5ft					10.2ft			21.0ft			13.20ft			16.40ft		at 100yds	
13.99m					3.49m					3.40m			6.98m			4.36m			5.45m		at 100m	
0.8°					0.333°					0.32°			0.4°			0.25°			0.31°		(High)	
4.2ft					1.7ft					1.7ft			2.1ft			1.30ft			1.64ft		at 100yds	
1.40m					0.58m					0.57m			0.70m			0.44m			0.54m		at 100m	
85-100mm					88-99mm					80-107mm			96-101mm			89-95mm			76-92mm		(Low)	
89-96mm					95-101mm					92-102mm			92-98mm			83-97mm			79-92mm		(High)	
1/4MOA		0.1MIL			1/8MOA		1/8MOA			1/8MOA		1/8MOA		1/8MOA		1/8MOA		1/8MOA		0.05MIL		1 Click Adjustment
120MOA		34MIL			60MOA		60MOA			60MOA		60MOA		60MOA		60MOA		66MOA		19MIL		Elevation Travel
60MOA		17MIL			40MOA		40MOA			40MOA		40MOA		40MOA		40MOA		36MOA		10MIL		Windage Travel
Side focus					Side focus					Side focus			Side focus			Side focus			Side focus		Focus	
10YD-∞					10YD-∞					10YD-∞			10YD-∞			10YD-∞			10YD-∞		Distance	
SFP					SFP					SFP			SFP			SFP			SFP			
CH 1/4dot Di-plex	MTR-1 MTR-2 MTR-3 MTR-4 MTR-5 MTR-FT MTR-RTM	MML	MML	FD-1 FD-2	CH 1/8dot 3/32dot 1/16dot Di-plex	MTR-1 MTR-2 MTR-3 MTR-4 MTR-5 MTR-FT MTR-RTM	CH 1/8dot 3/32dot 1/16dot Di-plex	MTR-1 MTR-2 MTR-3 MTR-4 MTR-5 MTR-FT MTR-RTM	CH 1/8dot 3/32dot 1/16dot Di-plex	MTR-1 MTR-2 MTR-3 MTR-4 MTR-5 MTR-FT MTR-RTM	CH 1/8dot 3/32dot 1/16dot Di-plex	MTR-1 MTR-2 MTR-3 MTR-4 MTR-5 MTR-FT MTR-RTM	CH 1/8dot 3/32dot 1/16dot Di-plex	MTR-1 MTR-2 MTR-3 MTR-4 MTR-5 MTR-FT MTR-RTM	CH 1/8dot 3/32dot 1/16dot Di-plex	MTR-1 MTR-2 MTR-3 MTR-4 MTR-5 MTR-FT MTR-RTM	W-Dot MTR-W0 MTR-W1 MTR-W2 MTR-WFT MTR-WFD	W-Dot MML-W1			Reticle	
X	○	X	○		X		○	X	X	○	X	X	○	X	X	○	○	○			Illuminated	
X					○		X			X		X			X		X				Adjustment cap	
Tactical					Normal		Tactical			Tactical		Tactical			Tactical		Tactical				Adjustment dial	
○					X		○			○		○			○		○				Adj. 0-set Device	
○					○		○			○		○			○		○				MD Disk	
○					○		○			○		○			○		○				Sun Shade	
336mm	338mm				418mm	420mm	418mm	420mm	411mm	413mm	398mm	400mm		407mm	409mm		420mm				A	
139mm					173mm					180mm			166mm			175mm			165mm		B	
60mm					60mm					64mm			64mm			64mm			64mm		C	
41mm					41mm					41mm			41mm			41mm			46mm		D	
105mm					142mm					134mm			144mm			144mm			159mm		E	
92mm	94mm				103mm	105mm	103mm	105mm	97mm	99mm	88mm	90mm		88mm	90mm		96mm				F	
53mm					79mm					81mm			79mm			79mm			66mm		G	
48mm					57mm					63mm			51mm			60mm			58mm		H	
655 g	685 g	655 g	685 g	685 g	690 g	700 g	705 g	735 g	910 g	915 g	945 g	825 g	830 g	855 g	835 g	845 g	865 g	1175g	1175g	Weight		



# March Scopes Lineup

## First Focal Plane

### March-F 30mm tube



March-F  
1x-8x24



March-F  
1x-10x24  
Shorty



March-F  
3x-24x42



March-F  
3x-24x52

### March GENESIS



March-GENESIS  
6x-60x56G



March-GENESIS  
4x-40x52G

### March-FX 34mm tube



March-FX  
1x-10x24 Shorty  
(34mm body tube)



March-FX  
1.5x-15x42



March-FX  
**High Master**  
4.5x-28x52



March-FX  
5x-40x56 Gen2



March-FX  
**High Master**  
5x-42x56

## Second Focal Plane

### March Compact 30mm tube



March Compact  
1x-4x24



March Compact  
1x-4.5x24



March Compact  
1x-10x24



March Compact  
1.5x-15x42



March Compact  
2.5x-25x42



March Compact  
2.5x-25x52

### March 30mm tube



March  
10x-60x52

### March-X 34mm tube



March-X  
5x-50x56



March-X  
8x-80x56



March-X  
High Master  
10x-60x56



March-X Majesta  
High Master  
8x-80x56

### Fixed Power Scopes March 30mm tube



March Fixed Power  
High Master  
48x52



March Fixed Power  
High Master  
40x-60x52

**DEON**

*DEON Optical Design Co.,*

9700-3 Miyagawa, Chino-shi, Nagano-ken,

391-0013 Japan

TEL : 0266-75-5658

FAX : 0266-75-5598

<https://marchscopes.com/>